



Laird Connectivity mobile antennas and accessories are the world standard for reliable, high-performance communication parts. Established in-market presence, innovative design techniques, verified product specifications, and a variety of connection options adds to Laird's reputation for rugged reliability in hazardous situations and harsh environments.

As the industry leader in mobile antenna products and accessories Laird produces antennas and accessories in a diverse number of styles and configurations. To ensure maximum reliability antennas and accessories are engineered and manufactured to deliver optimum performance within published specifications in operational critical applications.

FEATURES AND BENEFITS

- High-performance mobile antenna that operates on a non-metallic surface or no ground plane (NGP)
- High-performance whipless design for mobile applications
- Easy installation with optional NMO mounts
- Patented field diversity – Pat No. 5,977,931 and 6,292,156
- 100% tested on a network analyzer

ELECTRICAL SPECIFICATIONS

Operating Frequency (MHz)	450-470	806-866	821-896	890-960	2400-2500
VSWR – Avg	<2:1				
Gain (dBi)	3.0				
Nominal Impedance (Ohms)	50				
Max Power - Ambient 25°C (W)	10				
Polarization	Vertical and horizontal				
Pattern	Omni-directional				
Half-power Beamwidth (Elevation ° x Azimuth °)	130 x 360				

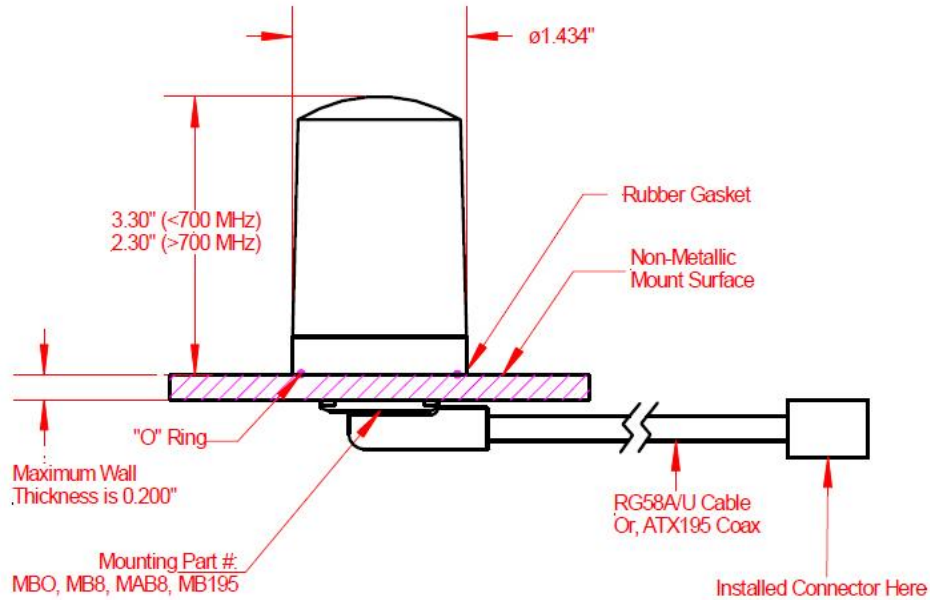
MECHANICAL SPECIFICATIONS

Dimensions – height x diameter – cm (inches)	NMO socket: 8.38 x 3.65 (3.30 x 1.44) Type N-female: 5.84 x 3.65 (2.30 x 1.44)
Weight – kg (lbs.)	NMO socket: 0.07 (0.15) Type N-female: 0.11 (0.25)
Connector	NMO socket or Type N-female
Radome Material	ABS
Radome Color	Black or white
Mounting Information	<1000 MHz NMO (PN: MB8, MAB8) DC to 6 GHz NMO (PN: MB195)

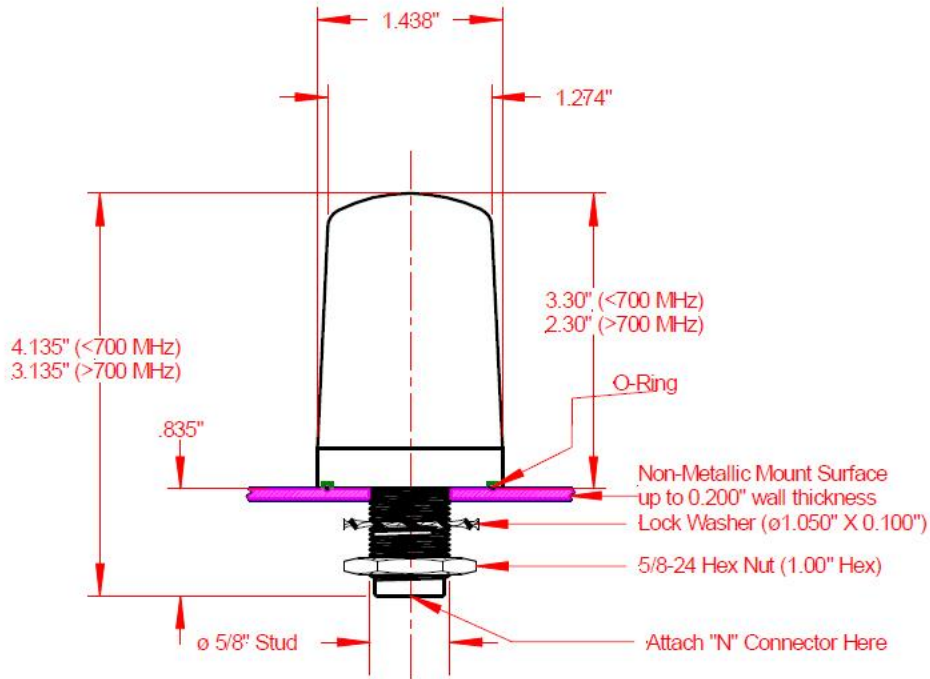
CONFIGURATION

PART NUMBER	FREQUENCY	MOUNT	CONNECTOR
TRA(B)4500N	450-470 MHz	NMO	NMO
TRA(B)4500NP	450-470 MHz	Permanent	N-female
TRA(B)8063N	806-866 MHz	NMO	NMO
TRA(B)8063NP	806-866 MHz	Permanent	N-female
TRA(B)8213N	821-896 MHz	NMO	NMO
TRA(B)8213NP	821-896 MHz	Permanent	N-female
TRA(B)8903N	890-960 MHz	NMO	NMO
TRA(B)8903NP	890-960 MHz	Permanent	N-female
TRA(B)24003N	2400-2500 MHz	NMO	NMO
TRA(B)24003N	2400-2500 MHz	Permanent	N-female
TRADCA	N/A – Mount only	Drop Ceiling	Drop Ceiling

MECHANICAL DRAWING



NMO models

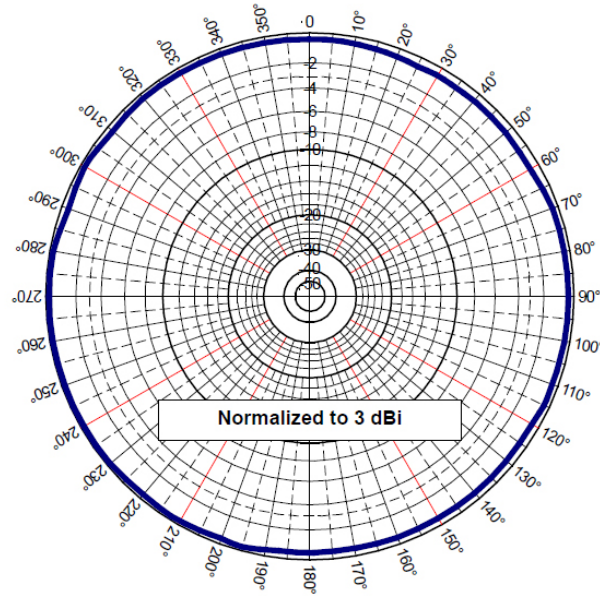


P-mount models

RADIATION PATTERNS

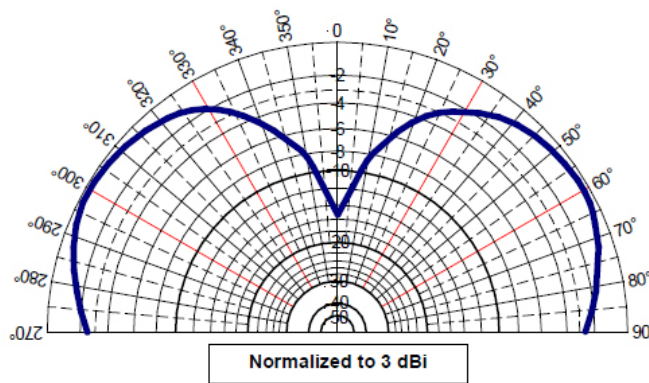
Azimuthal Pattern (X, Y, or E-plane)

Typical Radiation Pattern



Elevation Pattern (Z, Y, or H-plane)

Typical Radiation Pattern



Laird warrants to the original end user customer of its products that its products are free from defects in material and workmanship. Subject to conditions and limitations Laird will, at its option, either repair or replace any part of its products that prove defective because of improper workmanship or materials. This limited warranty is in force for the useful lifetime of the original end product into which the Laird product is installed. Useful lifetime of the original end product may vary but is not to exceed five (5) years from the original date of the end product purchase.

Any information furnished by Laird Inc. and its agents is believed to be accurate and reliable. All specifications are subject to change without notice. Responsibility for the use and application of Laird materials rests with the end user, since Laird and its agents cannot be aware of all potential uses. Laird makes no warranties as to the fitness, merchantability or suitability of any Laird materials or products for any specific or general uses. Laird shall not be liable for incidental or consequential damages of any kind. All Laird products are sold pursuant to the Laird Terms and Conditions of sale in effect from time to time, a copy of which will be furnished upon request.

© Copyright 2019 Laird Inc. All Rights Reserved. Laird, Laird Technologies, the Laird Logo, and other marks are trademarks or registered trademarks of Laird Inc. or an affiliate company thereof. Other product or service names may be the property of third parties. Nothing herein provides a license under any Laird or any third party intellectual property rights.



sales@lairdconnect.com
support@lairdconnect.com
www.lairdconnect.com