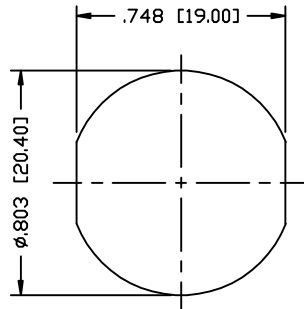


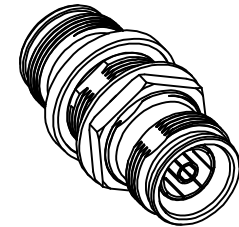
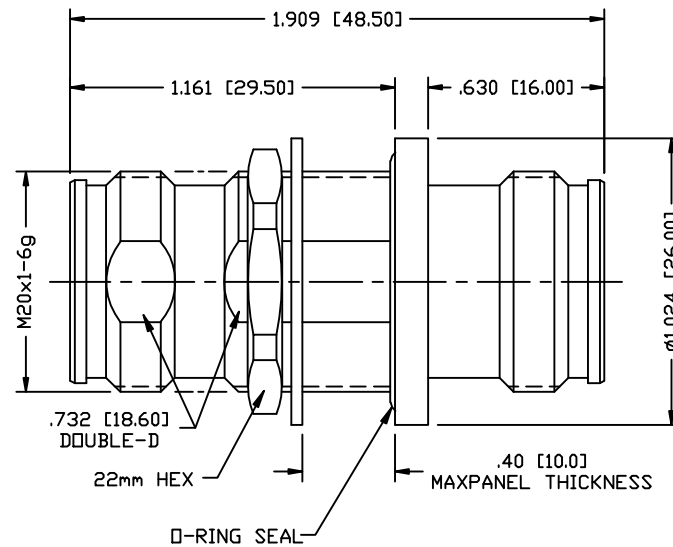
PART NO.

RFD-43F-FBH

REV	DESCRIPTION	DWN	DATE	APPROVED
A	ADDED NOTE FOR O-RING	DM	3/6/20	JDMc



RECOMMENDED PANEL PATTERN

SPECIFICATIONS:

INTERFACE: IEC61169-54
 IMPEDANCE: 50 OHMS
 FREQUENCY RANGE: DC-6 GHz
 VSWR MAX: <1.15:1 @ 3 GHz
 3rd ORDER IM: <-160 dBc @ 1900 MHz
 OPERATING TEMPERATURE: -40°C TO +155°C
 RoHS COMPLIANT

5	PROTECTIVE CAP	2	PE	----
4	GROUND RING	2	PHOS. BRONZE	WHITE BRONZE
3	CONTACT	1	BeCu	SILVER
2	INSULATOR	1	PTFE	----
1	BODY	1	BRASS	WHITE BRONZE
#	DESCRIPTION	QTY	MATERIAL	FINISH

CUSTOMER
OUTLINE DRAWINGALL DIMENSIONS
ARE REFERENCE ONLYUNLESS OTHERWISE SPECIFIED:
DIMENSIONS ARE IN INCHES
AND [MILLIMETERS]

DRAWN	D. McREYNOLDS	3/6/20
CHECKED		
ORJ DRAWN	C. ZUNIGA	05/01/17

PROPRIETARY AND CONFIDENTIAL
 THIS DRAWING CONTAINS
 INFORMATION PROPRIETARY TO
 RF INDUSTRIES, ANY
 UNAUTHORIZED USE OF THIS
 DRAWING IS EXPRESSLY
 PROHIBITED WITHOUT WRITTEN
 PERMISSION FROM RF
 INDUSTRIES. ANY VIOLATION IS
 PUNISHABLE UNDER U.S.
 COPYRIGHT LAWS.

RFconnectors
 DIVISION OF RF INDUSTRIES, LTD.

7610 MIRAMAR RD.
 SAN DIEGO, CA 92126
 (858) 549-6340
 (858) 549-6345 FAX

4.3-10 FEMALE TO 4.3/10 FEMALE PANEL MOUNT BULKHEAD

SIZE	CABLE GROUP	DWG NO.	REV
A	N/A	RFD-43F-FBH	A
SCALE:	ENGINEERING ID:	SHEET 1 OF 1	
NTS	000000		