

Indoor VHF Low-profile Omni Antenna

IXL-EYN-H2P

VHF Low-Profile, 134-176/340-570/617-960MHz, N-Female

- VHF omni Antenna covering 134-175/ 340-570/ 617-960MHz (VHF/UHF/700/800 Public Safety)
- Low-profile and suitable for indoor application
- Compact and cost-effective design



Electrical Specification

Product Model	IXL-EYN-H2P		
Frequency (MHz)	134-176	340-570	617-960
Gain (dBi). Typical	-0.5	1.2	3.5
Polarization	Horizontal		
Beamwidth Horizontal (°)	360		
VSWR. Typical	1.8	1.8	1.5
Average Power, max (W)	50		
Impedance (ohm)	50		

Mechanical Specification

Dimension Diameter, height (in/mm)	15.16x14.09x0.06 / 385.0x358.0x1.6
Weight (lb./kg)	1.17 / 0.53
Shipping Dimension(in/mm)	15.94x14.96x1.77 / 405.0x380.0x45.0
Shipping Weight(lb./kg)	1.81 / 0.82
Material & color	White
Mounting/Connector type	Ceil Mount, N-female

Environment & Compliance

Application	Indoor
Operating Temperature	-55°C to +70°C
Relative Humidity	Up to 95%
RoHS	Compliant
Environment	IP-54*

*Note: Recommended for indoor application and the antenna can be used "outdoor garage rated".

*Note: Not recommended for use with metal J boxes. Plastic or fiberglass J boxes are acceptable

Antenna Pattern

— Horizontal — Vertical



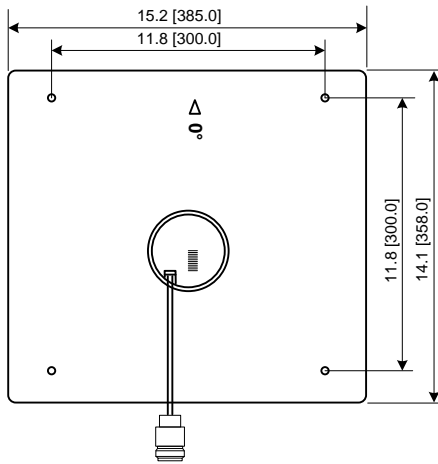
134MHz

450MHz

800MHz

Outline Drawing & Installation Instruction

Unit: inches [mm]



Installation

1. Drill four ¼" (Ø6mm) mounting holes on the ceiling.
Please refer the drawing
2. Insert plastic anchors(M6) in the holes
3. Insert mounting plastic screw caps on the antenna mounting holes
4. Locate the antenna on the four mounting holes on the ceiling
5. Insert screws and then tighten the screws.
Once completely tighten the screws, push plastic screw caps to cover the screw head

