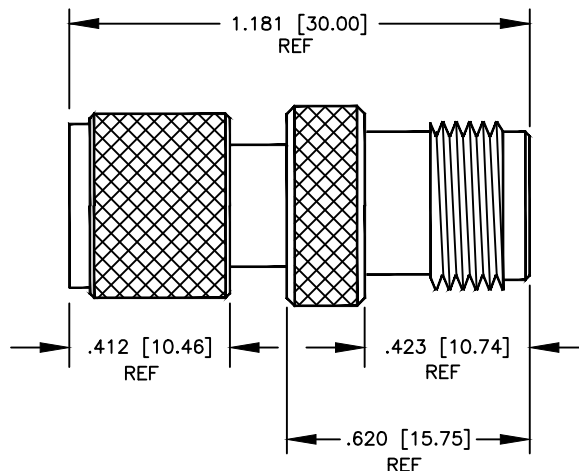


SPECIFICATION CONTROL DRAWING

THIS DRAWING CONTAINS INFORMATION PROPRIETARY TO RF INDUSTRIES, LTD. ANY UNAUTHORIZED USE OF THIS DRAWING IS EXPRESSLY PROHIBITED. ANY VIOLATION IS PUNISHABLE UNDER U.S. COPYRIGHT LAWS.

REV	DESCRIPTION	DWN	DATE	APPROVED
A	ENGINEERING RELEASE \ RPLS DWG #4068	CJ	7/15/92	J. BENZ
A2	CHANGED MINI UHF INTERNAL \ RPLS DWG #7539	PB	7/1/93	C. JONES
B	CHANGED MINI UHF INTERNAL \ RPLS DWG #7539	PB	7/1/93	K.HARTMANN
C	UPDATE ENVELOPE DWG	KMM	5/15/96	R. RICE



SPECIFICATIONS:

IMPEDANCE: 50 OHMS
 WORKING VOLTAGE: 335 VOLTS PEAK @ SEA LEVEL
 FREQUENCY RANGE: 0-2.5 GHz

DIMENSIONS ARE IN INCHES AND [MILLIMETERS]
 UNLESS OTHERWISE NOTED TOLERANCES ARE:
 DECIMALS DIAMETER

RFconnectors
 DIVISION OF RF INDUSTRIES, LTD.

7610 MIRAMAR RD
 SAN DIEGO, CA 92126
 (619)549-6340
 (619)549-6345 FAX

ITEM	DESCRIPTION	QTY	MATERIAL	FINISH
7	RETAINING RING	1	BRASS	NONE
6	PRESS FIT WASHER	1	BRASS	NICKEL
5	SHELL	1	BRASS	NICKEL
4	DIELECTRIC	1	PTFE	NONE
3	DIELECTRIC	1	PTFE	NONE
2	PIN	1	BRASS	GOLD
1	BODY	1	BRASS	NICKEL

DRAWN	K. MAXWELL	5/15/96
CHECKED		
ISSUED	H. HILL	5/15/96
ORJ DRAWN		8/20/85

RFU-623			
MINI UHF MALE TO TNC FEMALE ADAPTER			
SIZE	CABLE GROUP	DWG NO.	REV
A	N/A	8156	C
SCALE:	2:1	CAD FILE	13ARC B
		SHEET 1 OF 1	