

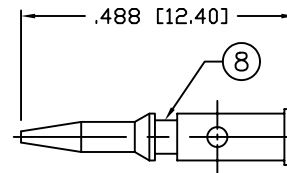
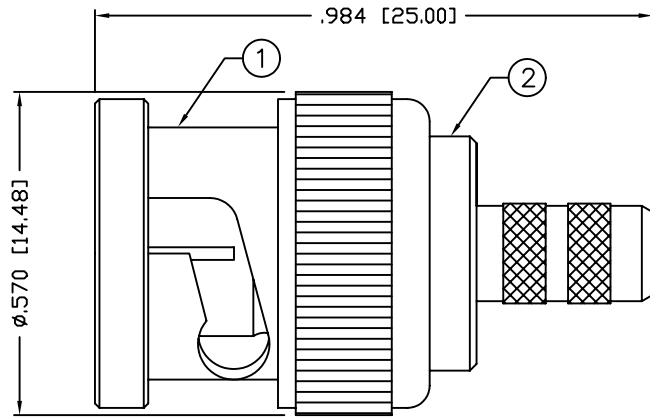
THIS DRAWING CONTAINS INFORMATION PROPRIETARY TO RF INDUSTRIES.
 ANY UNAUTHORIZED USE OF THIS DRAWING IS EXPRESSLY PROHIBITED
 WITHOUT WRITTEN PERMISSION FROM RF INDUSTRIES.
 ANY VIOLATION IS PUNISHABLE UNDER U.S. COPYRIGHT LAWS.

ALL DIMENSIONS ARE REFERENCE ONLY

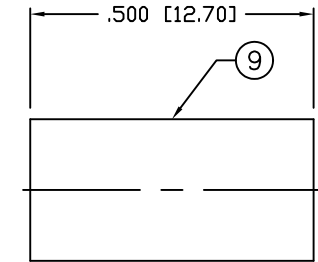
PART NO.

RFB-1106-2T

REV	DESCRIPTION	DWN	DATE	APPROVED
-	ENGINEERING RELEASE	CZS	9/28/04	JDMc



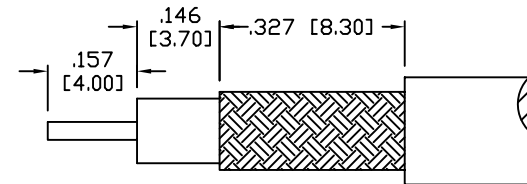
RECOMMENDED CRIMP DIE .068



RECOMMENDED CRIMP DIE .213

SPECIFICATIONS:

IMPEDANCE: 50 Ohms
 FREQUENCY RANGE: 0-4 GHz
 VOLTAGE RATING: 500 Vrms
 DIELECTRIC WITHSTANDING VOLTAGE: 1500 Vrms
 FOR RG-58, 58A, 58C, 141, 141A, BELDEN 8240,
 8259, 8262, 9201, 9203, 9310, 9311 & COMM/SCOPE 0268



RECOMMENDED STRIPPING DIMENSIONS

1	SHELL	1	BRASS	NICKEL, 100 μ"	008974	DRAWN JDM 9/28/04
2	BODY	1	BRASS	NICKEL, 100 μ"		
3	INSULATOR	1	PTFE	---		
4	GASKET	1	RUBBER	RED		
5	RETAINING RING	1	BRASS	NICKEL, 100 μ"		
6	SPRING	1	SK5	NICKEL, 100 μ"		
7	WASHER	1	BRASS	NICKEL, 100 μ"		
8	PIN	1	BRASS	GOLD, 3 μ"		
9	FERRULE	1	BRASS	NICKEL, 100 μ"		
10					CHECKED	
11						
12						
13					ORJ DRAWN	
14					C. ZUNIGA	4/6/01
#	DESCRIPTION	QTY	MATRL	FINISH	APPROVALS	DATE

UNLESS OTHERWISE SPECIFIED:
 1. REMOVE ALL BURRS
 2. BREAK ALL CORNERS & EDGES .005 R. MAX.
 3. CHAMFER 1ST & LAST THREADS 45°
 4. SURFACE ROUGHNESS 63 FINISH MIL-STD-10
 5. DIAMETERS ON COMMON CENTERS TO BE CONCENTRIC WITHIN .002 T.I.R.
 6. ALL DIMENSIONS ARE AFTER PLATING.

DIMENSIONS ARE IN INCHES AND [MILLIMETERS]
 UNLESS OTHERWISE NOTED TOLERANCES ARE:
 DECIMALS DIAMETER
 .XXX±.003 [.08] .XXX±.001 [.03]
 .XX±.005 [.13] .XX±.003 [.08]

RFconnectors
 DIVISION OF RF INDUSTRIES, LTD.

7610 MIRAMAR RD
 SAN DIEGO, CA 92126
 (858) 549-6340
 (858) 549-6345 FAX

BNC PLUG, CRIMP

SIZE A	CABLE GROUP C	DWG NO. RFB-1106-2T	REV -
SCALE: NTS	CAD FILE OUTLINE	SHEET 1 OF 1	