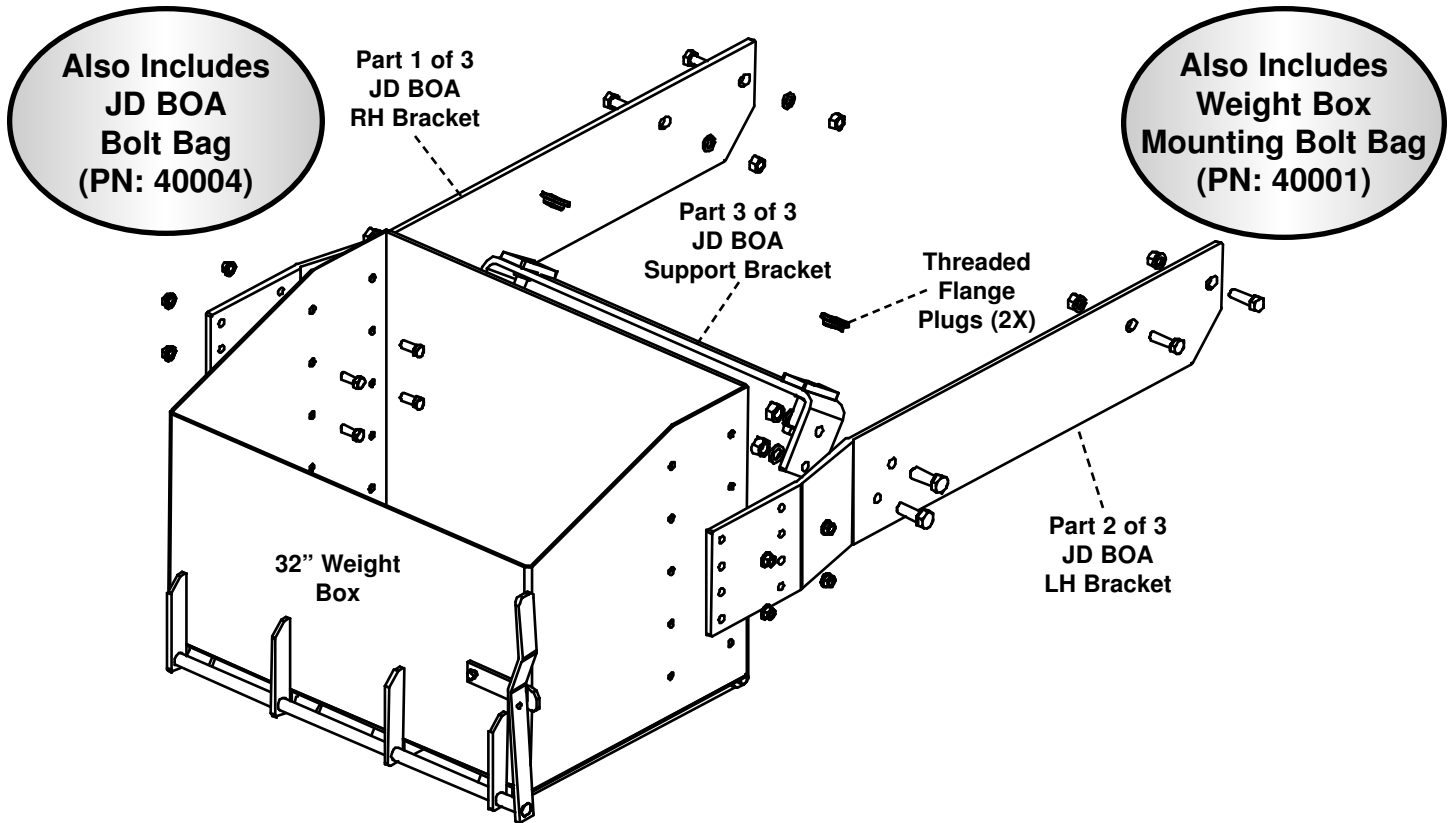


# John Deere BOA 32"

9000 / 9020 Series

Part Number: 2351

(32" Weight Box Part Number: 1827)



1. Remove the toolbox and mounting bracket; drill out the bracket holes to 25/32".
2. Remove the two plastic plugs from the front bolster.
3. Open the grill and insert the threaded flange plugs from the inside.
4. Bolt the support bracket to the flange plugs with two 3/4" x 2" bolts and lock washers. **Do not tighten at this time.**
5. Bolt the arms to the sides of the tractor with two 3/4" x 2" bolts, lock washers and nuts; and to the support bracket with two 5/8" x 2" bolts, lock washers and nuts. **Do not tighten at this time.**  
**Note:** Reattach the toolbox on the left side.
6. Mount the weight box to the arms with eight 1/2" x 1-1/2" bolts and flange nuts.  
**Note:** Position the weight box so the grill will clear the top of the weight box.
7. Tighten all bolts securely.



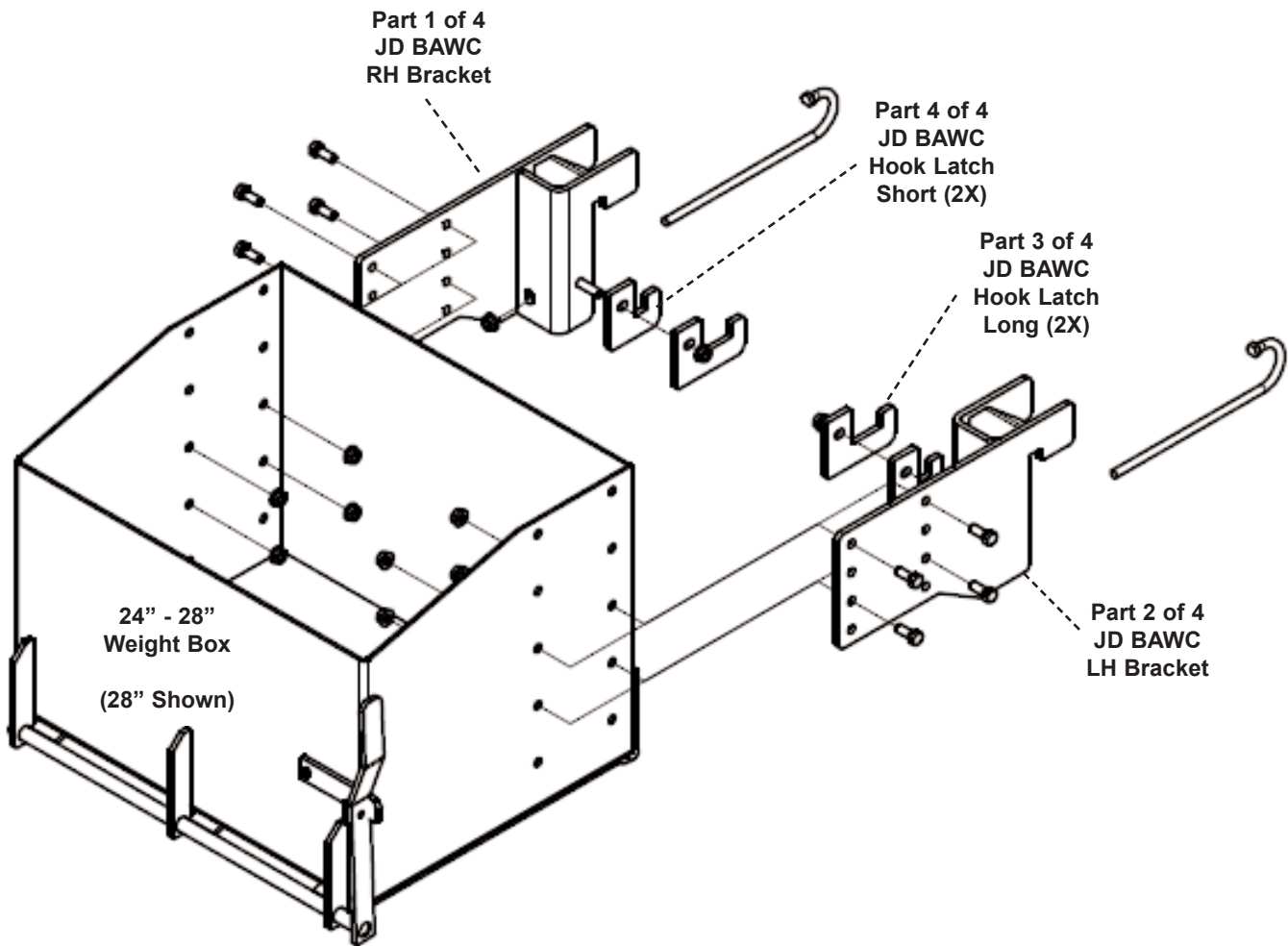
Phone - 800.328.1752  
Fax - 320.329.3709  
Email - sales@tractorseats.com  
Web Site - www.tractorseats.com  
P.O. Box 409 - 308 NW 2nd Street  
Renville, MN 56284

# John Deere BAWC 24" - 28"

30, 40, 50, 60, 5000, 6000, 7000, 7200, 7400 & 8000 Series

Part Number: 2449

(24" Weight Box Part Number: 1825 -- 28" Weight Box Part Number: 1826)



Also Includes  
Weight Box  
Mounting Bolt Bag  
(PN: 40001)

When installing the weight brackets, you will only use either the long hook latch, the short hook latch, or the J-bolt to secure the weight brackets. If your weight cage has a lip on the bottom, use the long or short hook latch such the hook is snug to the lip. If your weight cage is hollow on the back, use the J-Bolt.

**K&M**  
Manufacturing

Phone - 800.328.1752  
Fax - 320.329.3709  
Email - sales@tractorseats.com  
Web Site - www.tractorseats.com  
P.O. Box 409 - 308 NW 2nd Street  
Renville, MN 56284