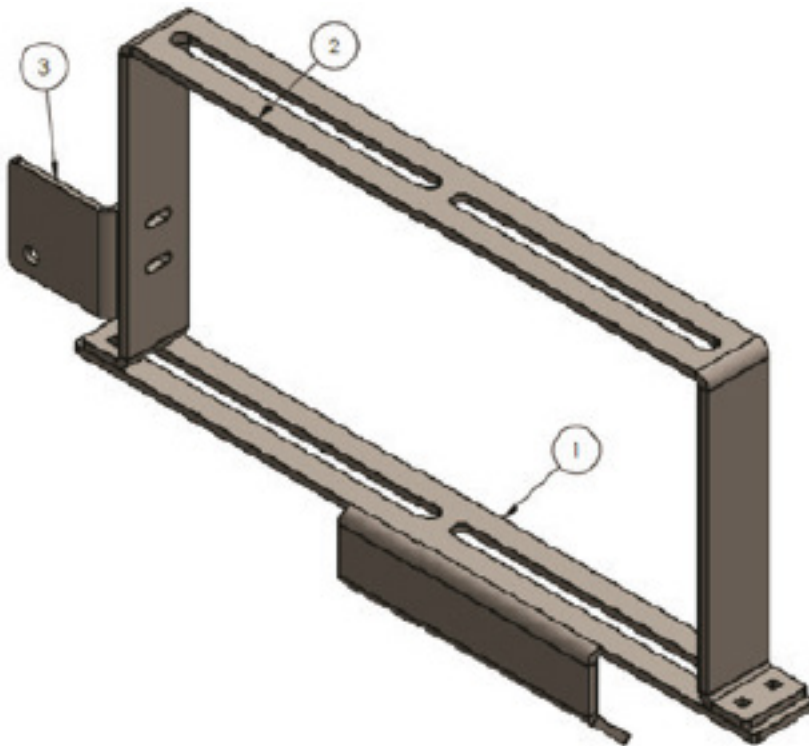


1. Locate the two 10mm holes on top of the console by the right side window. (Some models will have bolts in the holes.)
2. Mount the monitor bracket PN: 10199 with two 10mm x 1.5 x 20mm bolts supplied in the bolt bag.
3. Mount the top bracket PN: 10205 using the four 1/4 - 20 x 1 carriage bolts, lock washers and nuts provided in the bolt bag.
4. Remove ball stud New Holland PN: 9861001 from RH rear window strut cylinder.
5. Install rear mounting bracket PN: 10047 with two 5/16-18 x 1" hex bolts, lock washers and nuts.
6. Attach rear bracket to cab with new ball stud PN: 86370 and attach window strut cylinder to ball stud.



1. PN: 10199
2. PN: 10205
3. PN: 10047