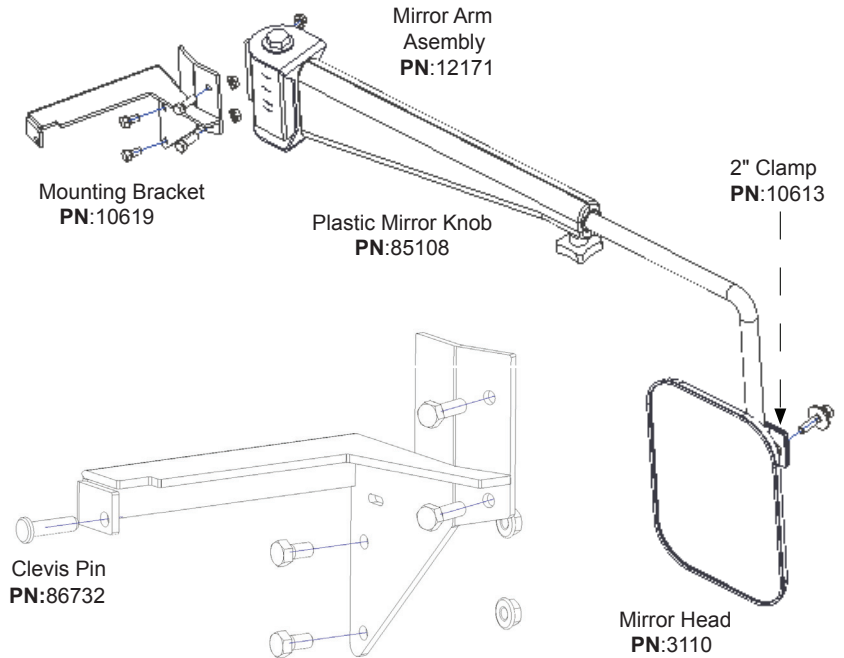


Installation Guide

Installation Instructions for CIH Magnum Mirror - Right (PN 3128) Fits: CIH MAGNUM 7100-7200 SERIES

1. Remove the RH corner cover **PN: 96703C1** from the cab. (This will be reattached.)
2. If the tractor is equipped with an OEM mirror remove the bracket.
3. Make sure that the RH window is locked shut and remove the snap ring from the window hinge pin then remove the pin.
4. Place the new mounting bracket **PN:10619** by inserting clevis pin included in the hardware bag into the window hinge. Insert two 5/16" x 1 bolts into the holes in the cab frame with the bolt head to the rear of the cab.
5. Check the alignment of the small slotted hole above the two bolt holes to make sure the hole is aligned then tighten bolts and insert cotter key into the clevis pin.
6. Replace front corner cover.
7. Install KM mirror to mounting bracket with hardware supplied in kit.



Insert the small tube into the mirror arm assembly and secure mirror knob.

Note! Do not over tighten the plastic mirror knob.

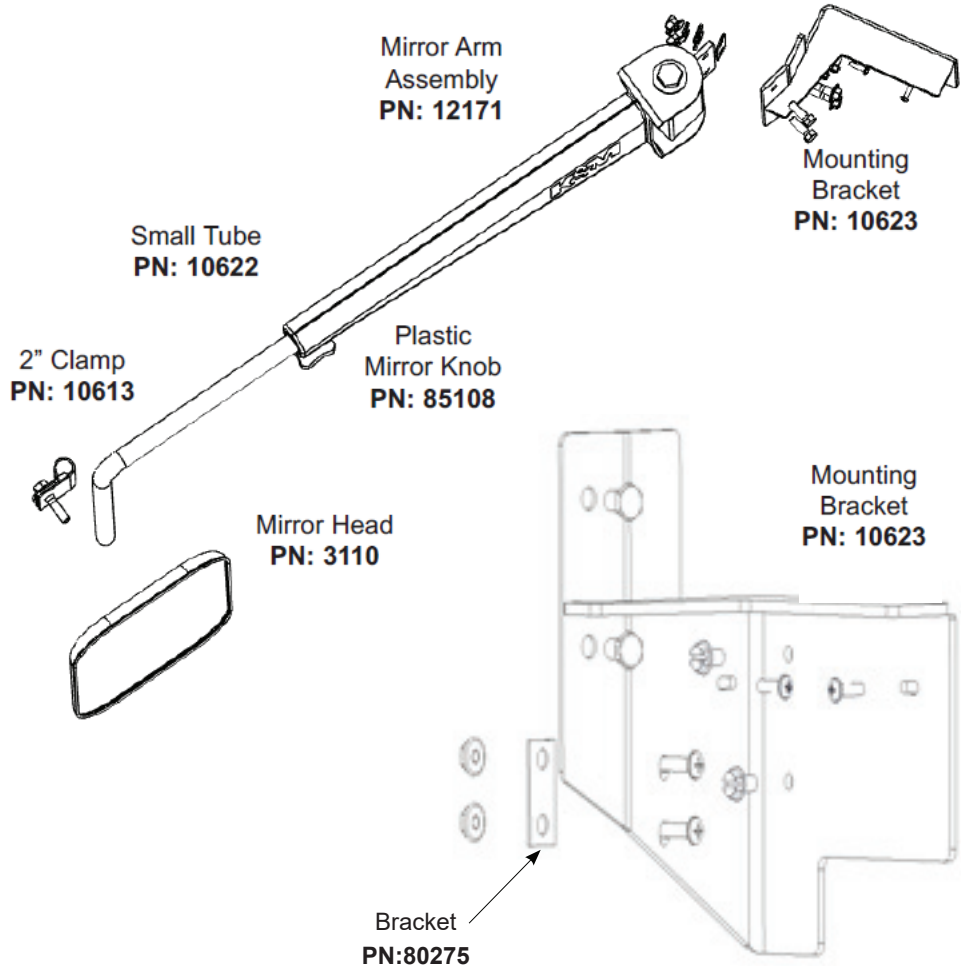
Fasten the mirror head to the small pipe with the 2 inch clamp and hardware.

Installation Guide

Installation Instructions for CIH MAGNUM MIRROR - LEFT (PN: 3132)

1. From the left side of the tractor, remove the pan head screw holding the front molding on. Also, remove the first pan head screw moving from front to back.
2. Place the new mounting bracket in the upper left corner and temporarily secure it with two #10 x 3/4" screws using the holes from the screws removed in step one.
3. Mark the location of the other two holes, then remove the mounting bracket.
4. Using the included #1 drill bit with the stop collar set at 5/16" from the tip of the bit, drill the two holes for the 1/4" x 1/2" thread cutting screws.

USE CAUTION! There are air conditioning lines and electrical wires in the posts.



5. Secure the mounting bracket, using the 1/4" flat washer behind the bottom hole of the mounting bracket.
6. Fasten the mirror arm assembly to the mounting bracket with two 5/16" x 1" full thread bolts and 5/16"-18 flange nuts.
7. Fasten the 80275 Bracket to the back of the handrail with two 1/4 -20 x 2 pan head screws and flange nuts.
8. Insert the small tube into the mirror arm assembly and secure with the plastic mirror knob.
9. Fasten the mirror head to the small pipe with the 2" clamp and included hardware.

Note! Do not over tighten the plastic mirror knob.