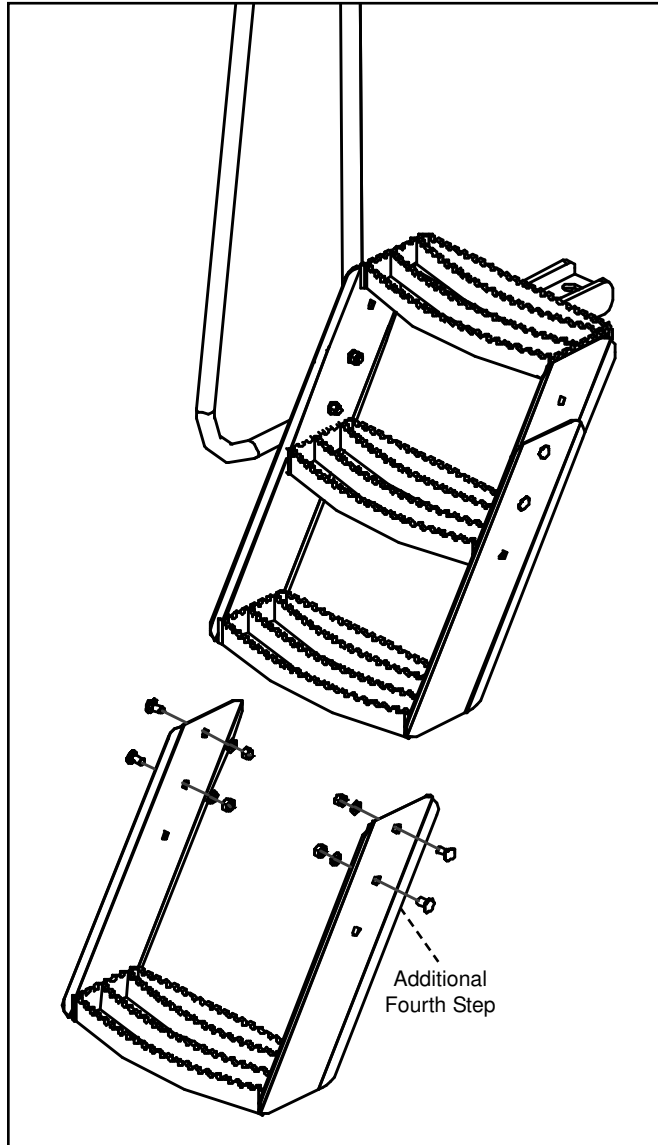


Additional Fourth Step for IH (PN: 3338)

Fits K&M Steps for IH Tractors

(2+2 Step, 500-600 Step & 06-66 Step Without Cab)



1. Slide the **fourth step** along the outside of the existing bottom step. Locate at desired height and clamp into place.
2. Drill four 3/8" holes into the sides of the bottom step to match the holes in the **fourth step**.
3. Bolt the **fourth step** to the bottom step section using four 3/8" x 3/4" carriage bolts, lock washers and nuts.