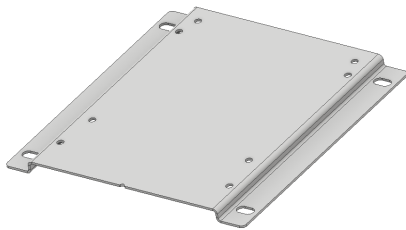
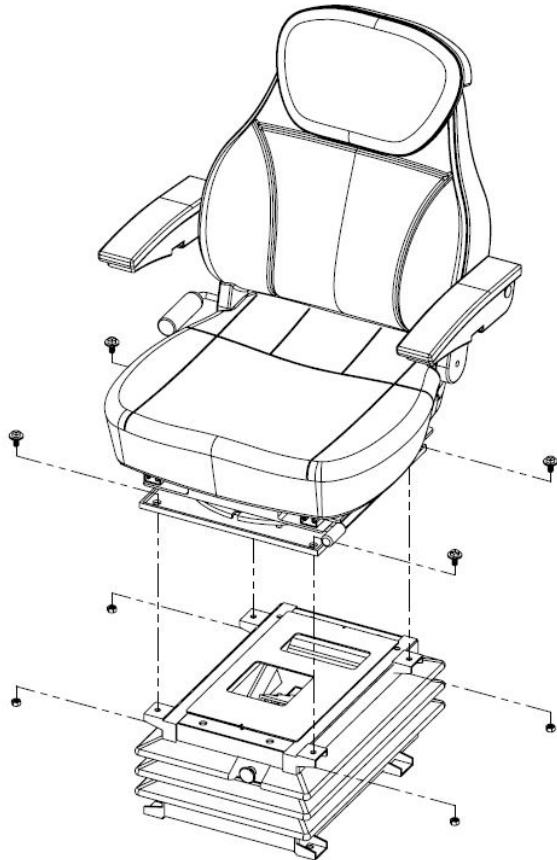


Installation Instructions for KM 1005 Uni Pro Seat & Suspension in Ford-New Holland 70 Genesis & 80 Series Tractors



10989
Adapter Plate

1. Unplug wiring connector located at the rear of the seat on the floor of the cab. Remove the 4 nuts at the corners of the suspension. Save the nuts to use on the new suspension.
2. Remove the old seat and suspension.
You may want to remove the rear window for this step.
3. Attach the new suspension to the 10989 Adapter Plate with the notch to the front using four 8mm bolts and lock washers.
4. Fasten the adapter plate and suspension to the cab floor with the nuts removed on Step 1.
5. Bolt the seat and swivel assembly to the suspension using spacers and M8 bolts and nuts provided in the bolt bag.
(Mechanical suspensions will not use nuts.)
6. If installing an Air Suspension locate the power cable coming from the lower part of the suspension and connect to 12v power source from the tractor.