



# Installation Guide

## Installation Instructions to Place a Mech Suspension in an AC 8000 Series Tractor Using the Original Luxury Seat without Original Swivel PN (6508)

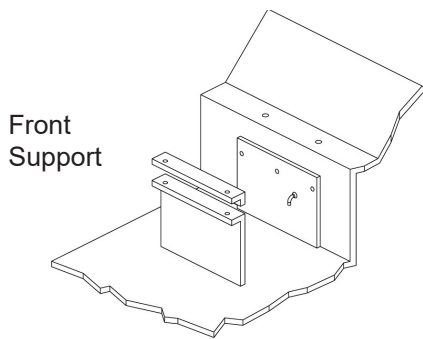
---

OEM  
Original  
Luxury Seat  
without Original Swivel

1. Remove the original seat and suspension assembly.
2. Remove the seat from the original suspension.
3. Bolt the suspension to the tractor deck with four 5/16" x 3/4" bolts and flange nuts.  
**Drilling may be required.**
4. Attach the slide rails to the suspension using four 8mm x 20mm Button Head Cap Screws and 8mm flange nuts.



KM MSG85  
Mechanical  
Suspension  
PN: 8077



Cut away section  
of tractor deck