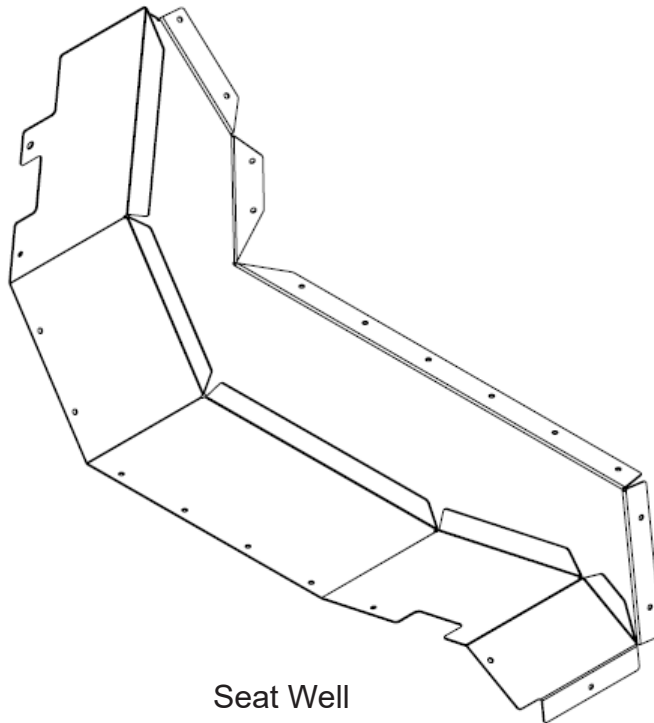


Installation Guide

JD Early Series MSG83 Mechanical Suspension (PN: 6784)

1. Remove original seat and suspension from the cab.
2. Remove the original seat from the suspension.
3. Install the Seat Well Extension Kit (S.W.E.K.) PN: 6052.
4. Cut 4 1/2" of the cab metal from the left side of the seat well cavity. (Use of a reciprocating saw (eg. Sawzall) is recommended.)
5. Place the S.W.E.K. into the opening from the bottom side of the cab and fasten with sheet metal screws provided. Use a 5/32" drill bit for the holes.
6. Caulking can be used to seal around the edges of the S.W.E.K. if desired.

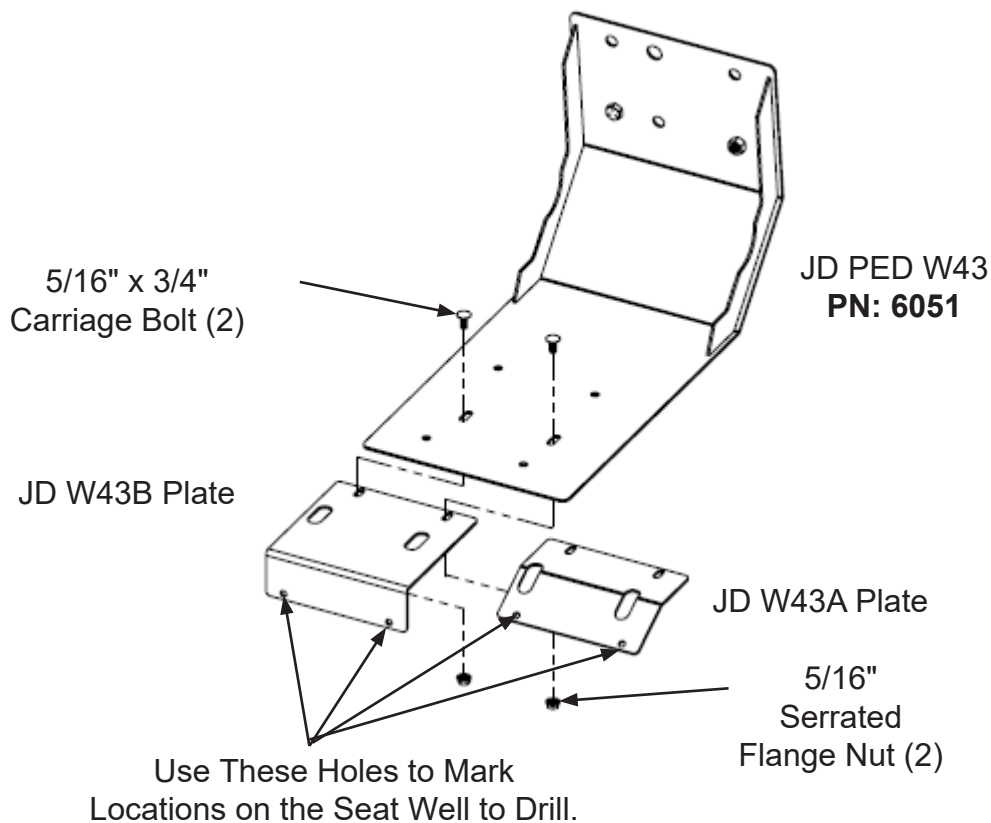


Seat Well
Adapter Kit
PN: 6052

Installation Guide

JD Early Series MSG83 Mechanical Suspension (PN: 6784)

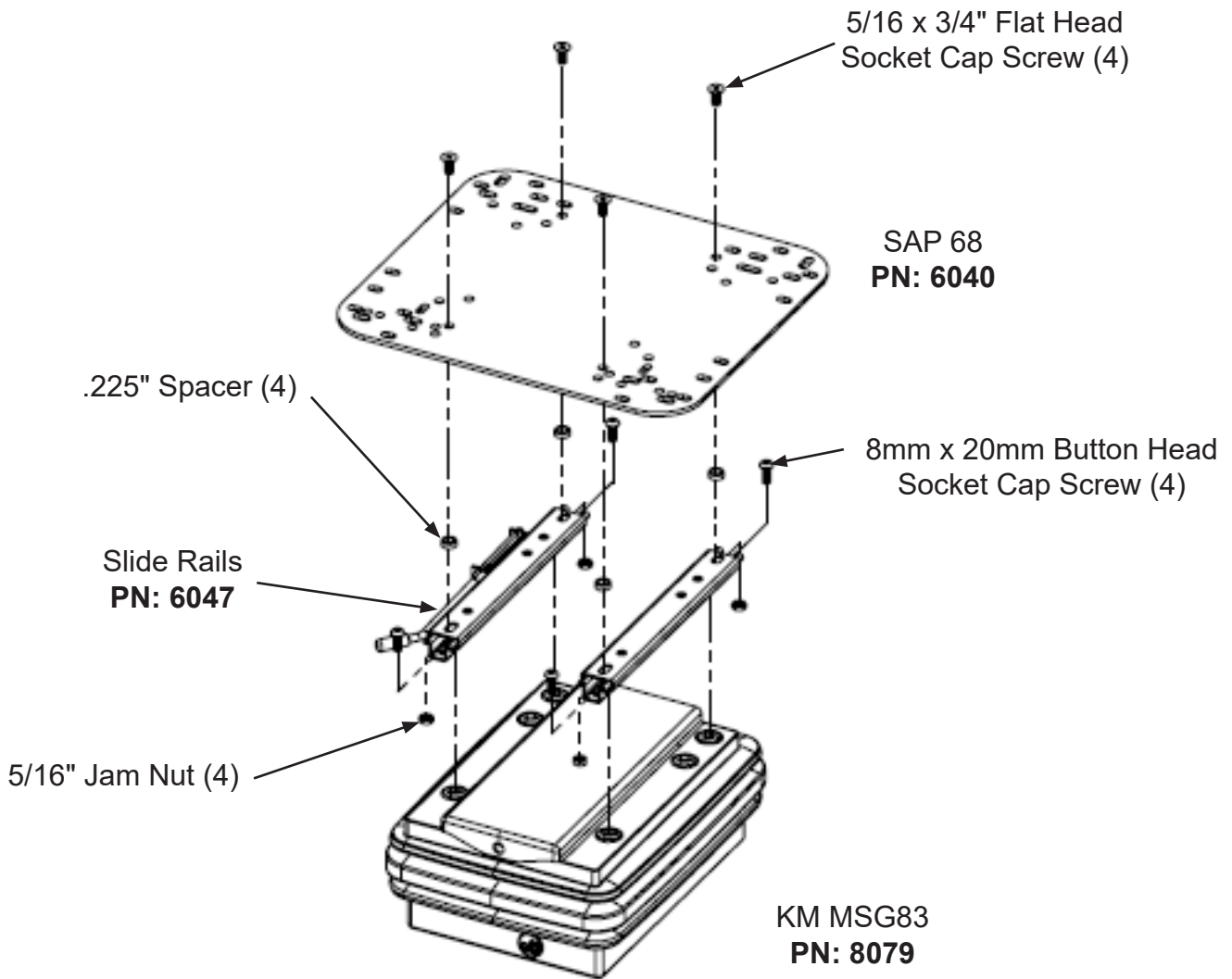
- Determine if your seat well has an angled front section or a square front section. For models with the angled front section, use the JD W43A plate. For models with the square front section, use the JD W43B plate.
- Bolt W43A or W43B plate to the bottom of the PED JD 43 with two 5/16" x 3/4" carriage bolts and flange nuts.
- Place the PED W43 into the seat ell in the location it will be fastened. It may help to bolt the JD W43 Plate to the back of the cab using the original bolts to secure it. Check to make sure the W43A or W43B plate, which ever is installed, is tight to the front section of the seat well. Loosen the bolts and adjust if necessary.
- With the PED W43 assembly in place in the seat well mark the location of the front holes onto the seat well.
- Remove the PED W43 assembly from the cab and drill two 1 1/32" holes through the seat well where you marked.



Installation Guide

JD Early Series MSG83 Mechanical Suspension (PN: 6784)

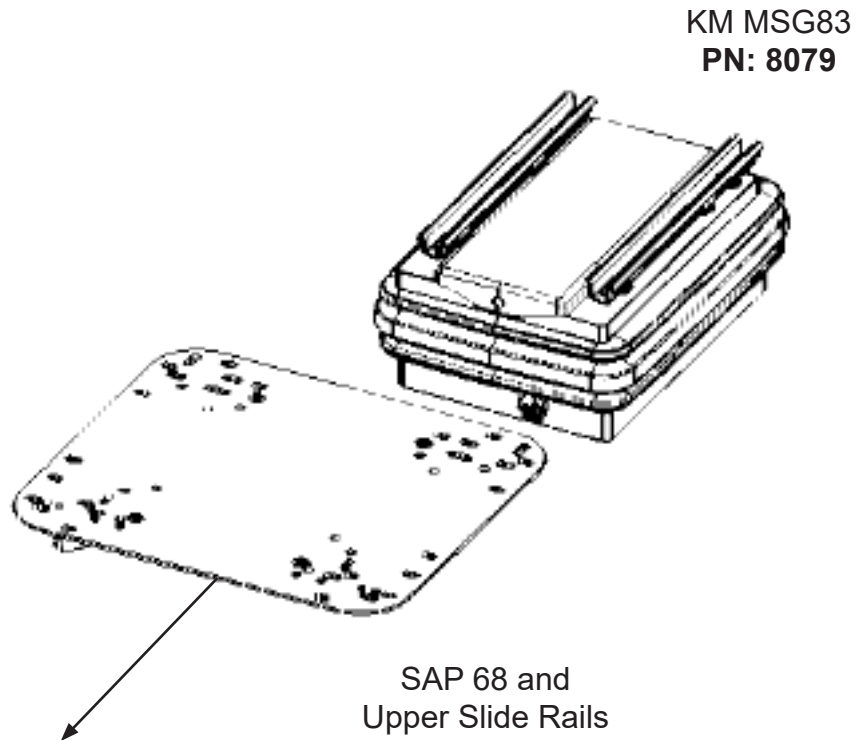
12. Bolt the slide rails to the suspension using four 8mm x 20mm button head socket cap screws. The slide rail must be assembled with the adjustment lever to the right side of the seat and suspension.
13. Bolt the SAP 68 to the slide rails with four 5/16" x 3/4" flat head socket cap screws, .225" spacers, and 5/16" jam nuts. Place the four .225" spacers between the SAP 68 and the slide rails.



Installation Guide

JD Early Series MSG83 Mechanical Suspension (PN: 6784)

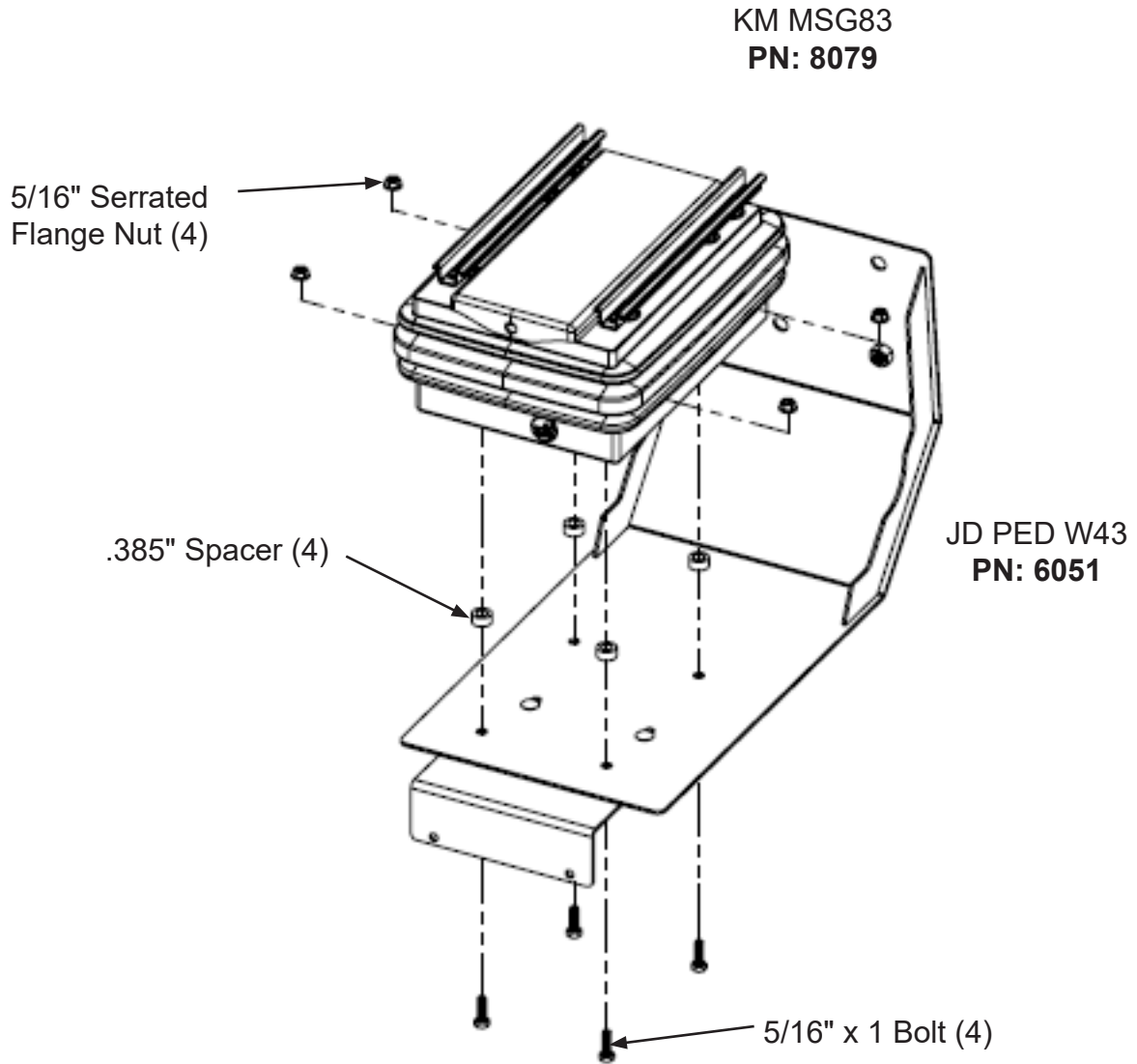
14. Pull the slide rail adjustment lever and remove the SAP 68 and upper slide rails from the suspension. You may have to bend the slide rail stops down on the rear of the upper slide rails to get the assembly to come apart.



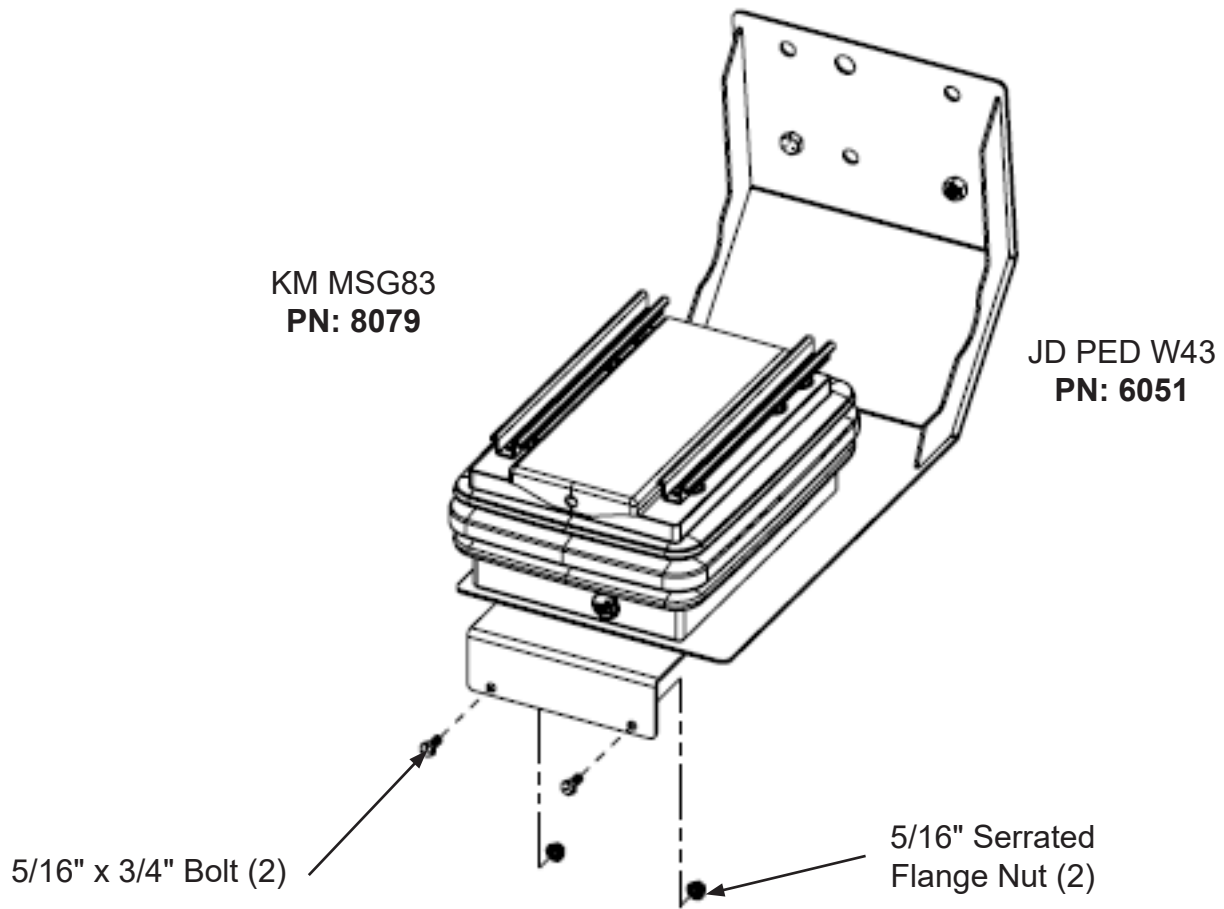
Installation Guide

JD Early Series MSG83 Mechanical Suspension (PN: 6784)

15. Bolt the suspension to the JD PED W43 using four 5/16" x 1" bolts, serrated flange nuts, and .385" spacers. The spacers install between the suspension and the JD PED W43. You need to loosen the lower part of the rubber bellows to access the inside of the suspension to install the nuts onto the bolts.



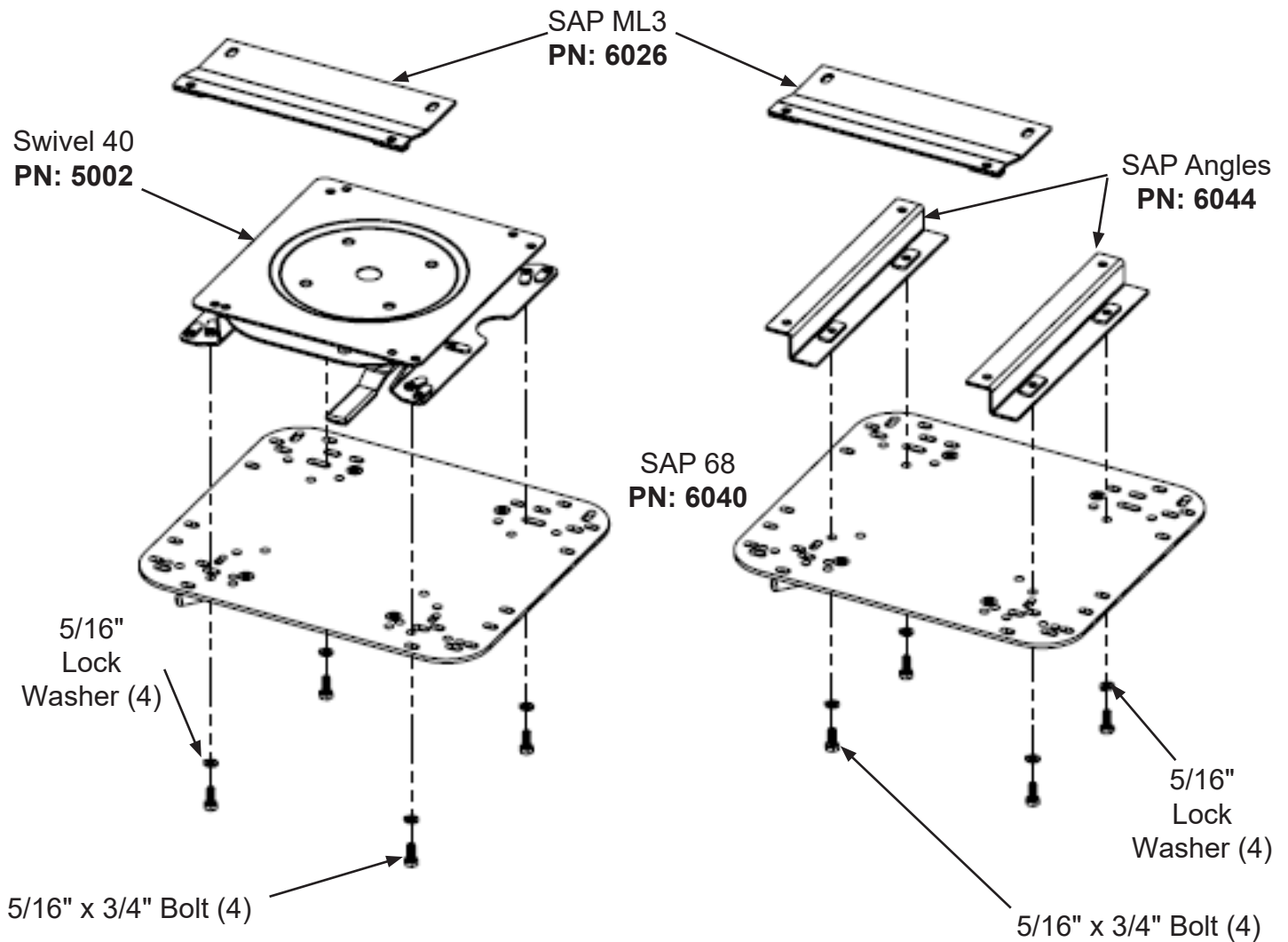
- 16. Mount the JD PED W43 and suspension assembly to the back of the cab using the original bolts.
- 17. Fasten the W43A or W43B plate, which ever is installed, to the cab deck where the holes were drilled in step 11. Use two 5/16" x 3/4" and 5/16" serrated flange nuts for fasteners.



Installation Guide

JD Early Series MSG83 Mechanical Suspension (PN: 6784)

18. If your original seat top was a Mechanical Personal Posture seat, mount the SAP ML3 plate to the bottom of the seat. If the original seat top was a Hydraulic Person Posture seat, proceed to step 19. Use two 5/16" x 3/4" bolts and lock washers and mount the SAP ML3 plate to the front holes on the bottom of the seat to establish a 9 5/8" x 10 1/2" hole pattern. Continue to step 19.
19. If the swivel 40 was purchased, mount it to the bottom of the original seat using four 5/16" x 3/4" bolts and lock washers. If the swivel was not purchased, mount the SAP angles to the bottom of the original seat using four 5/16" x 3/4" bolts and lock washers.
20. Mount the seat assembly to the SAP 68 using four 5/16" x 3/4" bolts and lock washers. If the swivel 40 was purchased, use hole pattern #2 on the SAP 68. If the SAP angles are in-stalled, use hole pattern #4 as shown on the sticker on the SAP 68.





Installation Guide

JD Early Series MSG83 Mechanical Suspension (PN: 6784)

21. Slide the Seat, Slide Rail, and SAP assembly back onto the suspension.
22. If the purchased suspension was air, connect it to a power and ground source. Keyed power is recommended.