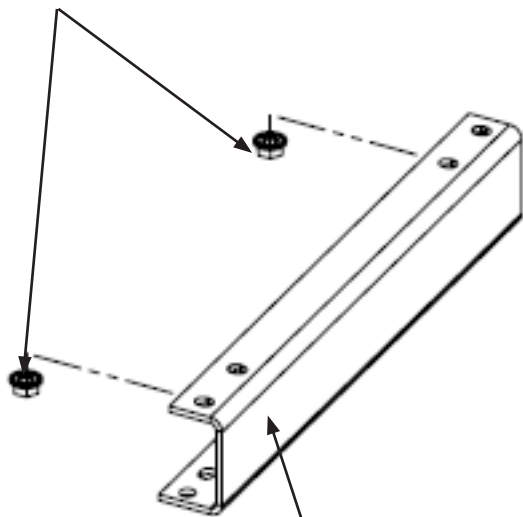


Installation Guide

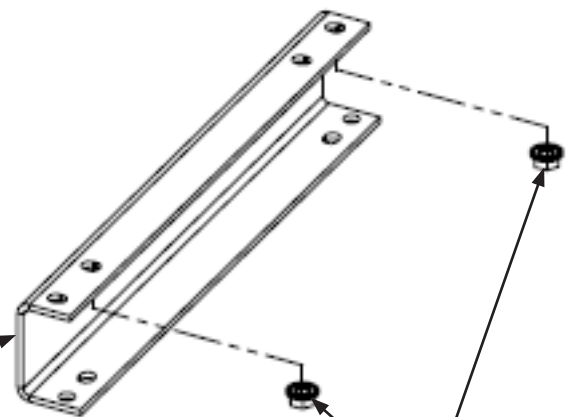
JD/CAT Mini Ex KM 226 Kit (PN: 6963)

1. Remove the original seat and slide rails. Save the hardware that fastened the slide rails to the cab platform.
2. Mount the 6147 PED brackets to the bottom of the new seat using the 5/16" serrated flange nuts provided. **HAND TIGHTEN ONLY.**
3. Mount the new seat and 6147 PED brackets to the cab platform using the original hardware. Tighten all hardware.

5/16" Serrated Flange Nut



6147 PED Bracket



5/16" Serrated Flange Nut