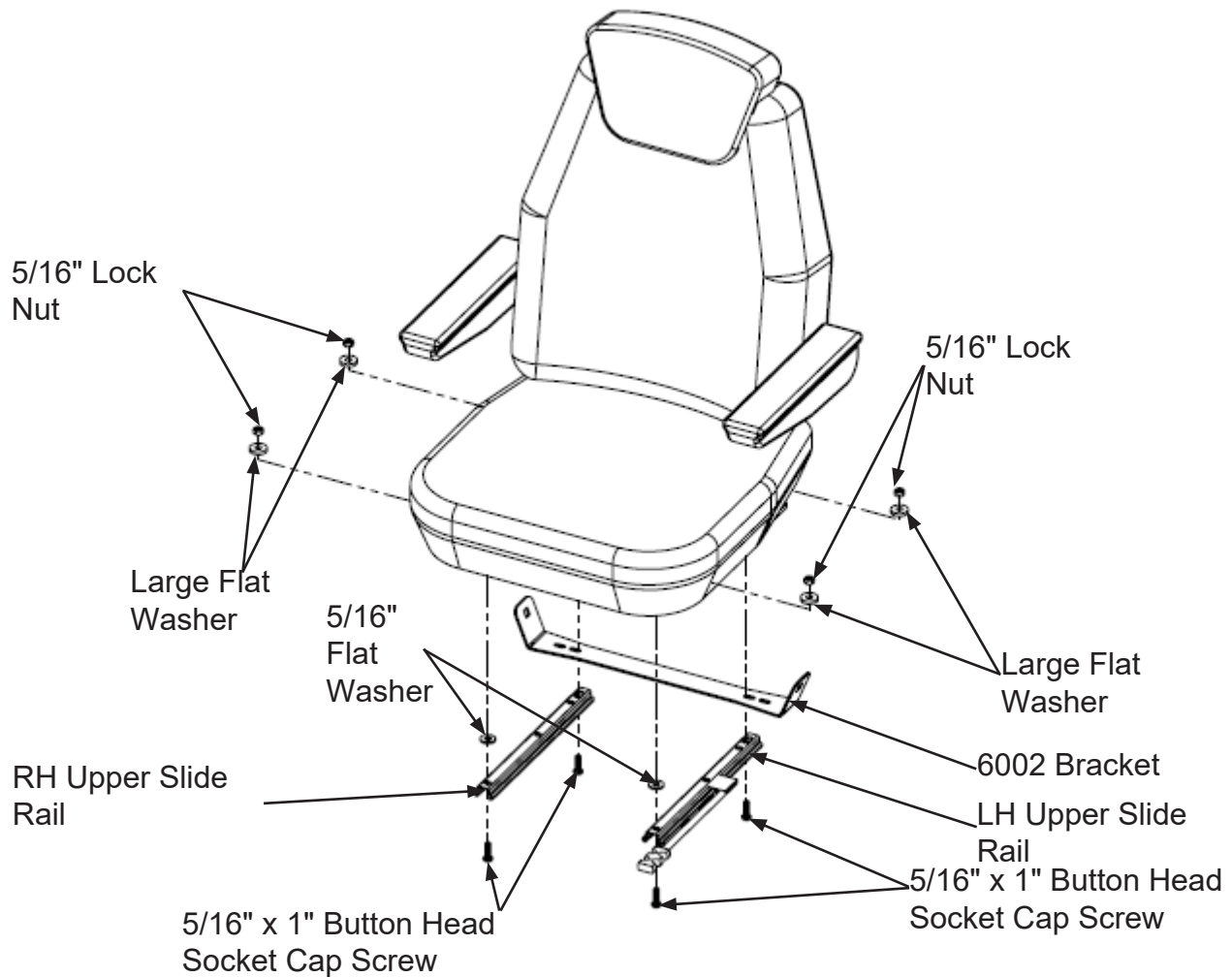


Installation Guide

Case L Series Dozer KM 441 Seat Top Kit (PN: 6967)

1. Remove original seat from the suspension. Keep the bolts and nuts used to hold the seat to the suspension. Leave the tether straps mounted to the floor.
2. Remove the slide rails from the new seat. Keep the large flat washers. The bolts and nuts can be discarded. Be sure to mark the front of each slide rail piece (top and bottom). Separate the slide rails so the top and bottom halves are apart.
3. If the new seat came with armrests, remove and discard them.
4. Bolt the 6002 seat belt bracket and upper slide rails to the bottom of the seat using four 5/16" x 1" button head socket cap screws, the four large washer that were removed in step 2, and four 5/16" lock nuts. Use two 5/16" flat washers as spacers on the front of the slide rails in between the seat and slide rails. DO NOT tighten at this time.



Installation Guide

Case L Series Dozer KM 441 Seat Top Kit (PN: 6965)

5. Bolt the lower halves of the slide rails to the 6149 PED using four 5/16" x 3/4" button head socket cap screws and 5/16" serrated flange nuts.
6. Flip the seat up side down. Slide the lower slide rail and PED 6149 assembly into the upper slide rails from the back of the seat. Adjust the slide rails forwards and back-wards to make sure the slide rails move freely and the seat is centered. Tighten the bolts holding the upper slide rails to the bottom of the seat.
7. Place the seat assembly into the cab and mount to the original suspension using the original bolts and nuts.
8. Attach the seat belt and the tether straps using two 7/16" x 1" carriage bolts and 7/16" nuts.

