

Installation Guide 6978

Installation Instructions for KM 1057 Uni Pro Seat & Suspension in Ford-New Holland 7410 - TW Series Tractors

731 Seat Top
PN: 8374

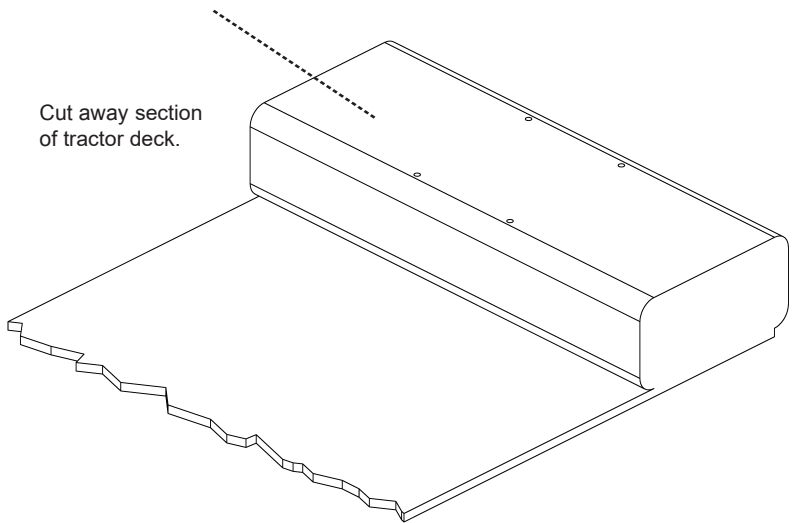


Optional
Swivel Kit
Available
PN: 5007

MSG95
Suspension
PN: 8078



1. Remove the original seat and suspension assembly from the tractor.
2. Bolt the suspension assembly to the tractor cab deck with original bolts. (**Drilling may be required.**)
3. Bolt the seat and slide rail assembly to the suspension assembly. (Slide seat forward to access rear two holes and all the way back to access front two holes in slides.)
4. Locate power cable coming from the lower part of the suspension and connect it to 12v power source from tractor.



Cut away section
of tractor deck.