

CIH 71-89 & 9200-9300

Seat & Suspension Kits



CHOOSE FROM

- | | | | | | | | | | | | | | | | | |
|--|---|----|---|----|---|---|--|----|---|----|---|---|--|--|--|--|
|  |  | OR |  | OR |  | OR |  | OR |  | OR |  | | | | | |
| KM 1061 Uni Pro™ Seat & Air Suspension
PN: 6904 or 6905
Gray Fabric or Red Vinyl | | | 1000 Uni Pro™ Seat & Air Suspension
PN: 6555
Charcoal Gray Fabric | | | 1003 Uni Pro™ Seat & Air Suspension
PN: 6684
Charcoal Gray Fabric | | | 1005 Uni Pro™ Seat & Air/Mech Suspension
PN: 6414 or 6415
Gray Fabric (Air or Mech) | | | KM 1000/1003 Air Suspension
PN: 6925 | | | KM MSG85 Mech Suspension
PN: 6553 or 6551 | |

NEW PLUG & PLAY SEAT KIT (PNs: 6904, 6905, 6684 & 6925)
 Complete plug and play wiring for easy install.

See **PAGES 2-4** for applications, drawings and additional part information.



Adjustable fold-up armrests allow easy access to the seat and individual comfort

Tapered back support and adjustable backrest adds comfort and versatility

Adjustable mechanical lumbar supports your lower back with multiple settings and provides extra back support (lever on backrest)

PN: 6904

PN: 6905

When seated, seat depth adjustment (right) and cushion angle adjustment (left) for individual fit

Cut and sew cushions for operator comfort

Air adjustment switch

Adjustable slide rails with 4" of travel

Durable suspension cover keeps suspension components free of dirt and dust

Fore/aft isolator absorbs jarring for extra comfort (Isolator can also be disabled.)

- Replacement kits for original seat
- **Grammer MSG95/741 Seat**
- Made with durable cut and sew gray fabric
- Backrest extension for extra height adjustment
- Air suspension for smoother, more comfortable ride
- Self-contained 12-volt compressor is wired to the tractor's electrical system to provide power to the suspension
- Suspension stroke of 3.94"
- Shock absorber adjusts for different settings
- 8.25" fore/aft suspension travel
- 3" height adjustment
- Comes standard with operator presence switch

PN: 6904 Includes: KM 1061 Uni Pro™ Seat & Suspension, Seat Adapter Plate, Install Hardware & Installation Instructions

PN: 6905 Includes: KM 1061 Uni Pro™ Seat & Suspension, Seat Adapter Plate, Install Hardware & Installation Instructions

Swivel is Optional (PN: 5007 for PNs: 6904 & 6905)

APPLICATIONS



Tractors

**Fits - Case IH® 71-89 Series Magnum and Steiger®
9200-9300 Series 4WD Tractors:**
71 Series Magnum: 7110, 7120, 7130, 7140, 7150; **72 Series Magnum:** 7210, 7220, 7230, 7240, 7250; **89 Series Magnum:** 8910, 8920, 8930, 8940, 8950; **Steiger® 9200 Series:** 9210, 9230, 9240, 9250, 9260, 9270, 9280; **Steiger® 9300 Series:** 9310, 9330, 9350, 9370, 9380, 9390

- Replacement kits for seat & air suspension
- Made with durable charcoal gray Tufftex fabric
- Adjustable lumbar support
- Air suspension for smoother, more comfortable ride
- Self-contained 12-volt compressor is wired to tractor's electrical system to provide power to the suspension
- Slide rails provide 5" fore/aft adjustment
- Durable rubber molded suspension cover
- Comes standard with operator presence switch

- PN: 6555 Includes:** KM 1000 Uni Pro™ Seat & Suspension, Install Hardware & Installation Instructions
 - PN: 6684 Includes:** KM 1003 Uni Pro™ Seat & Suspension, Seat Adapter Plate, Install Hardware & Installation Instructions
 - PN: 6925 Includes:** KM 1000/1003 Air Suspensions, Install Hardware & Installation Instructions
- Swivel is Optional (PN: 5003 for PNs: 6555 & 6684)



PN: 6555

Adjustable padded armrests fold up and out of the way allowing easy access to the seat and individual comfort

Adjustable backrest angle adds comfort and versatility

Fore/aft isolator absorbs jarring for extra comfort (Isolator can also be disabled.)

Side-to-side isolator provides lateral movement (Just PN: 6555)

Easily accessible push-pull air switch



PN: 6684

NEW PLUG & PLAY SEAT KIT (PNs: 6904, 6905, 6684 & 6925)
 Complete plug and play wiring for easy install.

Adjustable shock absorber (Just PN: 6555)

See **PAGE 4** for drawings.



PN: 6925

Air valve

Rubber molded suspension cover keeps suspension components free of dirt and dust

- Suspension replacement kit
- Original Sears air suspension
- Self-contained 12-Volt compressor
- Fore/aft isolator absorbs jarring for extra comfort
- 5" suspension stroke
- 9" maximum height

PN: 6414 Includes: KM 1005 Uni Pro™ Seat & Air Suspension, Pedestal, Swivel, Install Hardware & Installation Instructions

PN: 6415 Includes: KM 1005 Uni Pro™ Seat & Mechanical Suspension, Pedestal, Swivel, Install Hardware & Installation Instructions

- **Assembly is required (seat & suspension do not come attached)**
- Choose between 12-Volt air, or mechanical suspension
- Adjustable backrest folds forward and reclines
- Adjustable backrest extension for extra height
- 3-position adjustable seat height within 2.36"
- 110 - 287 lb weight adjustment
- Slide rails provide fore/aft adjustment
- Durable rubber suspension cover

See **PAGE 4** for drawings.



Adjustable fold-up armrests with lift 30° up or down

PN: 6414

Contoured foam cushions to ensure operator comfort

Durable document pouch to store owner's manual and other valuables

Cut and sew covering for a more rugged, comfortable ride

PN: 6415

Mechanical suspension

PNs: 6551 & 6553

PN: 6551 (with Original Swivel) Includes: KM MSG85 Mechanical Suspension, Seat Adapter Plate, Slide Rails, Install Hardware & Installation Instructions

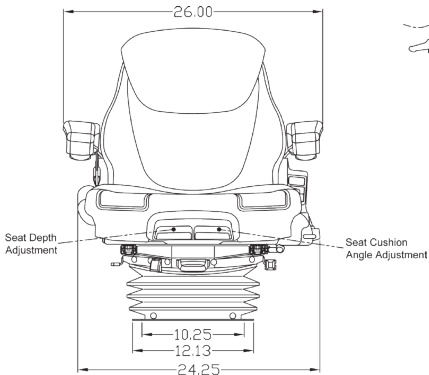
PN: 6553 (without Original Swivel) Includes: KM MSG85 Mechanical Suspension, Seat Adapter Plate, Slide Rails, Install Hardware & Installation Instructions (Fits 9100 Series Only)

Rubber molded suspension cover keeps suspension components free of dirt and dust

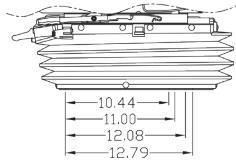
Flip handle weight adjustment

- Suspension replacement kit
- 4" suspension travel with suspension stroke up to 7"
- 110 - 285 lb weight adjustment with weight indicator
- Three-position height adjustment
- Height adjustment of 3"

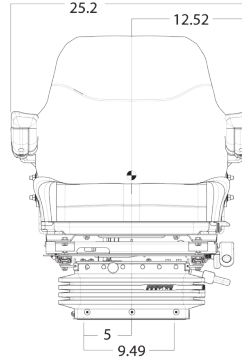
FRONT VIEW
PNs: 6904 & 6905



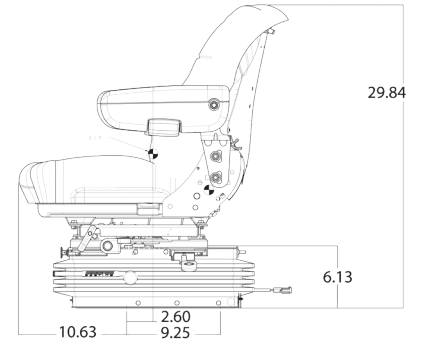
SIDE VIEW
PNs: 6904 & 6905



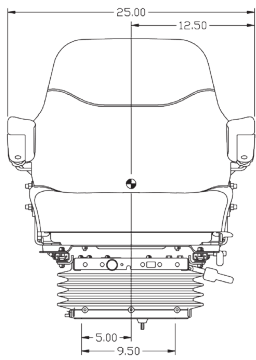
FRONT VIEW
PN: 6555



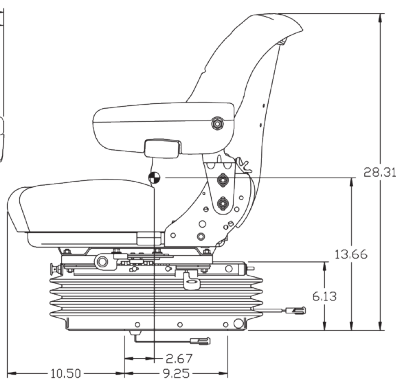
SIDE VIEW
PN: 6555



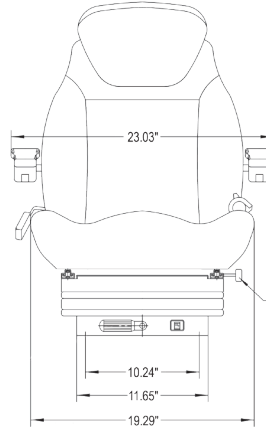
FRONT VIEW
PN: 6684



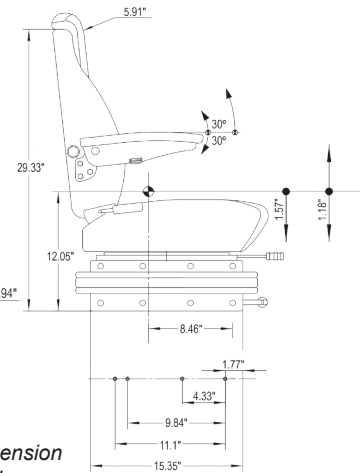
SIDE VIEW
PN: 6684



FRONT VIEW
PNs: 6414 & 6415

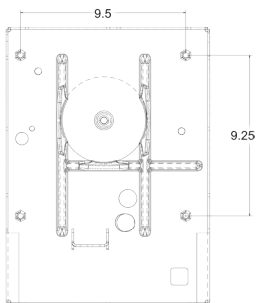


SIDE VIEW
PNs: 6414 & 6415

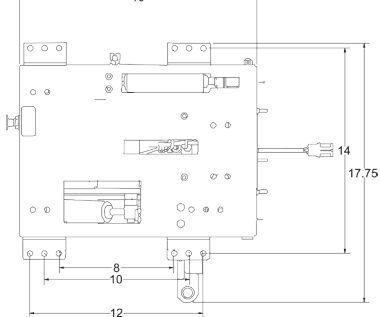


**Drawings show mechanical suspension only and do not show swivel.*

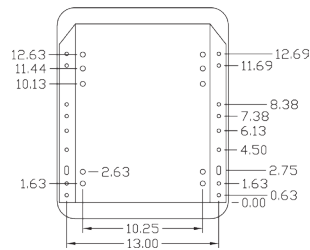
BOTTOM VIEW
PN: 6925



TOP VIEW
PN: 6925



TOP VIEW
PNs: 6551 & 6553



BOTTOM VIEW
PNs: 6551 & 6553

