

Case 870-2870 Sears

Seat & Suspension Kits



CHOOSE FROM

- | | | | | | | |
|---|----|---|----|---|----|---|
| ● | OR | ● | OR | ● | OR | ● |
| KM 1060 Uni Pro™
Seat & Air Suspension
PN: 6725
Black/Gray Matrix Fabric | | KM 1057 Uni Pro™
Seat & Air Suspension
PN: 6973
Black/Gray Matrix Fabric | | 1004 Uni Pro™ Seat & Mech Suspension
PN: 6533 or 6527
Black Vinyl or Fabric | | 1005 Uni Pro™ Seat & Air/Mech Suspension
PN: 6412 or 6413
Black (Air) or Black (Mech) |

See **PAGES 2-4** for applications, drawings and additional part information.



Adjustable mechanical lumbar supports your lower back with multiple settings and provides extra back support (lever on backrest)

Adjustable fold-up armrests allow easy access to the seat and individual comfort

Tapered back support and adjustable backrest adds comfort and versatility

PN: 6725

When seated, seat depth adjustment (right) and cushion angle adjustment (left) for individual fit

Plush, spacious cushions for operator comfort

Air adjustment switch

Adjustable slide rails with 4" of travel

Durable suspension cover keeps suspension components free of dirt and dust

Fore/aft isolator absorbs jarring for extra comfort (Isolator can also be disabled.)

- **Grammer MSG95/741 Seat**
- Air suspension for smoother, more comfortable ride
- Replaces original suspension seat
- Self-contained 12-volt compressor is wired to the tractor's electrical system to provide power to the suspension compressor
- Adjustable backrest extension for extra height on back
- Shock absorber adjusts for different settings
- 8.25" fore/aft suspension travel
- 3" height adjustment
- Operator presence switch

PN: 6725 Includes: KM 1060 Uni Pro™ Seat & Suspension, Install Hardware & Installation Instructions

Swivel is Optional (PN: 5007 for PN: 6725)



APPLICATIONS



Tractors

Fits - Case® 870-2870 Series Tractors with Original Sears Seat:
870, 970, 1070, 1170, 1270, 1370, 1570, 2470, 2670, 2870

PN: 6973 Includes: KM 1057 Uni Pro™ Seat & Suspension, Install Hardware & Installation Instructions

Swivel is Optional (PN: 5007 for PN: 6973)

See **PAGE 4**
for drawings.

When seated, seat depth adjustment (right) and cushion angle adjustment (left) for individual fit



- Complete seat & suspension replacement kit
- **Assembly is required (seat & suspension do not come attached)**
- **Grammer MSG95/731 Seat**
- Air suspension for smoother, comfortable ride
- Self-contained 12-volt compressor is wired to the tractor's electrical system to provide power to the suspension compressor
- Adjustable backrest extension for extra height
- Fold-up adjustable armrests
- Shock absorber adjusts for different settings
- Suspension stroke up to 7"
- 3" height adjustment
- Durable suspension cover
- Easy access side controls
- 110 - 285 lb weight adjustment with indicator

PNs: 6533 & 6527 Include: KM 1004 Uni Pro™ Seat & Mechanical Suspension, Swivel, Install Hardware & Installation Instructions

PN: 6412 Includes: KM 1005 Uni Pro™ Seat & Air Suspension, Swivel, Install Hardware & Installation Instructions

PN: 6413 Includes: KM 1005 Uni Pro™ Seat & Mechanical Suspension, Swivel, Install Hardware & Installation Instructions

PN: 6533



- Mechanical suspension with 8.25" of travel
- 4" suspension travel
- 1.375" SIP and 2.75" stroke reducer
- 286 lb weight adjustment
- Manual height adjustment
- Slide rails

PN: 6527



Armrests fold up and out of the way allowing easy access to the seat and individual comfort

Mechanical adjustable lumbar supports your lower back with multiple settings

Seat belt fixation points

Foldable and adjustable backrest angle adds comfort and versatility

Durable rubber molded suspension cover keeps suspension free of dirt and dust

Cut and sew covering for a more rugged, comfortable ride

PN: 6413



Mechanical suspension

See PAGE 4 for drawings.

Contoured foam cushions to ensure operator comfort

PN: 6412



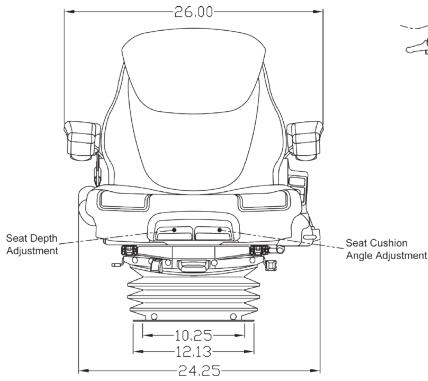
Adjustable fold-up armrests with lift 30° up or down

Durable document pouch to store owner's manual and other valuables

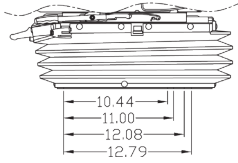
Air suspension

- **Assembly is required (seat & suspension do not come attached)**
- Choose between 12-Volt air, or mechanical suspension
- Adjustable backrest folds forward and reclines
- Adjustable backrest extension for extra height
- 3-position adjustable seat height within 2.36"
- 110 - 287 lb weight adjustment
- Slide rails provide fore/aft adjustment
- Durable rubber suspension cover

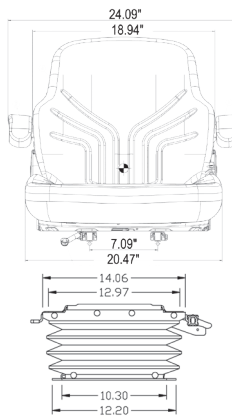
**FRONT VIEW
PN: 6725**



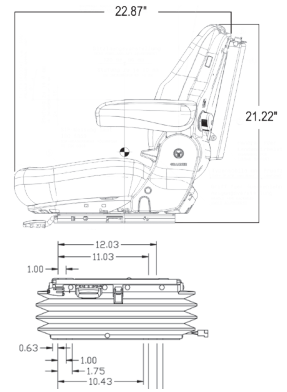
**SIDE VIEW
PN: 6725**



**FRONT VIEW
PN: 6973**

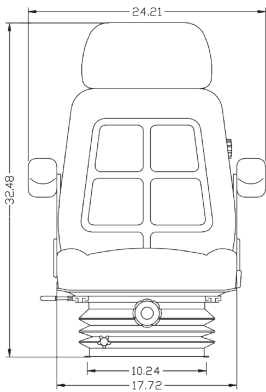


**SIDE VIEW
PN: 6973**

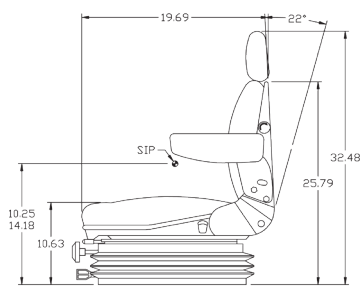


**Drawings show seat top without backrest extension and seat depth/tilt adjustment handles.*

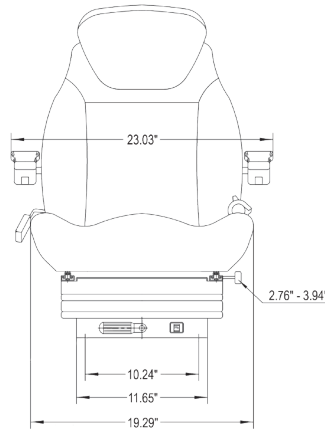
**FRONT VIEW
PN: 6527 & 6533**



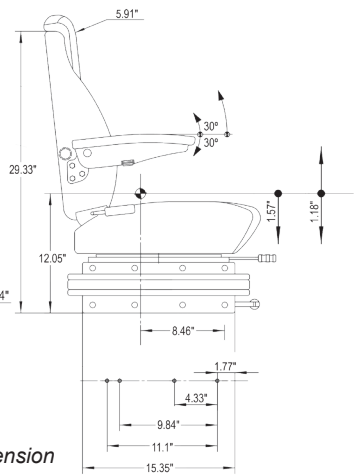
**SIDE VIEW
PN: 6527 & 6533**



**FRONT VIEW
PNs: 6412 & 6413**



**SIDE VIEW
PNs: 6412 & 6413**



**Drawings show mechanical suspension only and do not show swivel.*