

Case CX-D Series

Excavator Suspension Seat Kits



CHOOSE FROM

-  KM 1097 Mech. Seat
Black Fabric
PN: 6959
- OR
-  KM 1098 Air Seat
Black Fabric
PN: 6960
- OR
-  KM 1099 Air Seat
Black Fabric
PN: 6961

See **PAGES 2-4** for applications, drawings and additional part information.



Thicker side support on cushions for added comfort and support

Wide adjustable armrests fold up and out of the way allowing easy access to the seat and individual comfort

Slide rails provide 4" fore/aft adjustment ensuring operator comfort

Manual weight adjustment

Durable rubber suspension cover keeps suspension components free of dirt and dust

Adjustable headrest

Adjustable mechanical lumbar supports your lower back with multiple settings

Two-point retractable seat belt for added safety

Adjustable backrest adds comfort and versatility

Height and suspension tilt adjustment with a single knob

PN: 6959

- Heavy-duty construction seat & mechanical suspension
- ISO 7096 vibration rating

PN: 6959 Includes: KM 1097 Uni Pro™ Seat & Suspension, Pedestal & Install Hardware



APPLICATIONS



Fits - Case® CX-D Series Large Excavators: CX130D, CX160D, CX210D, CX250D, CX300D, CX350D, CX490D, CX145D SR, CX245D SR
(Replaces Case® Part Numbers: KHN38810, KHN42780, KHN42781, KHN42782, KHN42783)

PN: 6960 Includes: KM 1098 Uni Pro™ Seat & Suspension, Pedestal & Install Hardware

- Self-contained 24-Volt compressor is wired to the tractor's electrical system to provide power to the suspension compressor
- Heavy-duty construction seat & electrical air suspension

See **PAGE 4**
for drawings.



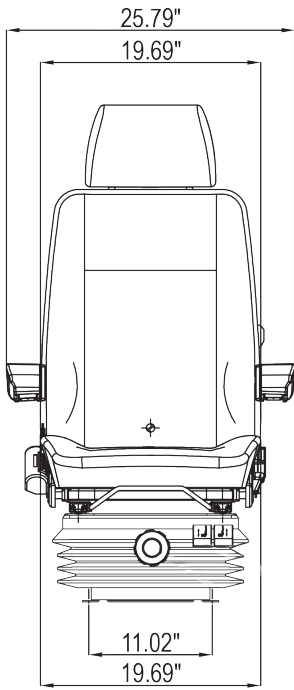
PN: 6961 Includes: KM 1099 Uni Pro™ Seat & Suspension, Pedestal & Install Hardware

- Heavy-duty construction seat & electric air suspension

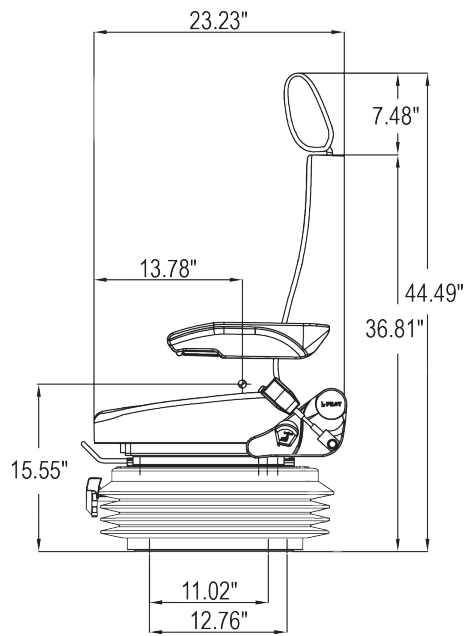
See **PAGE 4** for drawings.



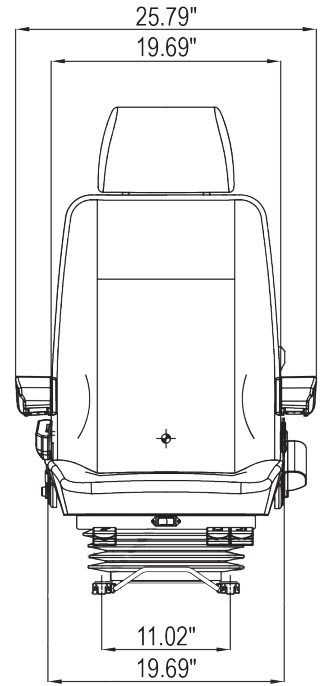
**FRONT VIEW
PN: 6959**



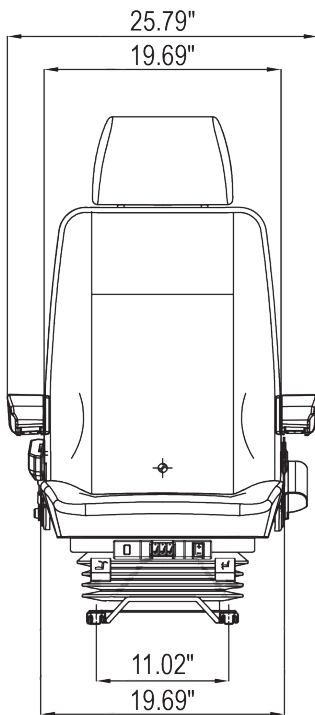
**SIDE VIEW
PN: 6959**



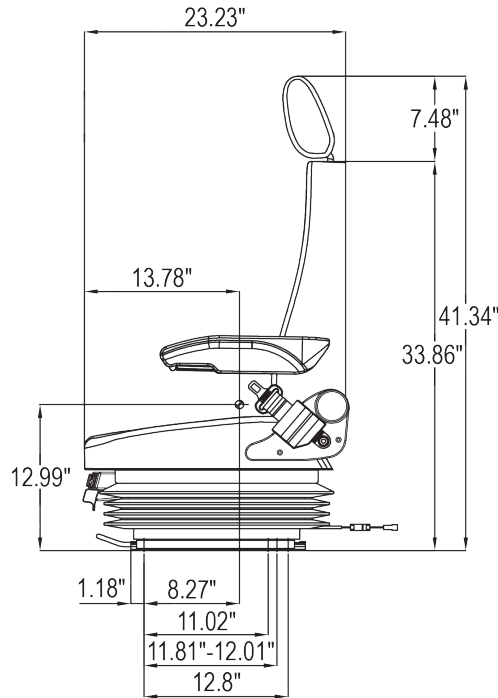
**FRONT VIEW
PN: 6960**



**FRONT VIEW
PN: 6961**



**SIDE VIEW
PN: 6961**



**SIDE VIEW
PN: 6960**

