

# Ford-New Holland 70 Genesis, 80 4WD

## Seat & Suspension Kits



### CHOOSE FROM

- |   |    |  |    |   |    |   |    |   |    |   |
|---|----|--|----|---|----|---|----|---|----|---|
| ●   | OR | ●  | OR | ●   | OR | ●   | OR | ●   | OR | ●   |
| 000 Uni Pro™<br>Seat & Air<br>Suspension<br><b>PN: 6848</b><br>Charcoal Gray Fabric |    | 1003 Uni Pro™<br>Seat & Air<br>Suspension<br><b>PN: 6849</b><br>Charcoal Gray Fabric |    | 1060 Uni Pro™ Seat &<br>Air Suspension<br><b>PN: 6847</b><br>Black/Gray Matrix Fabric |    | 1005 Uni Pro™ Seat &<br>Air/Mech Suspension<br><b>PN: 6425 or 6426</b><br>Gray Fabric (Air or Mech) |    | 1001 Uni Pro™ Seat<br>Assembly<br><b>PN: 6773</b><br>Charcoal Gray Fabric |    | KM 1000/1003<br>Air Suspension<br><b>PN: 6846</b> |



**PN: 6773**

Use with Original  
Air without Swivel  
(Just PN: 6773)



**PN: 6849**



**PN: 6848**

**Adjustable padded armrests** fold up and out of the way allowing easy access to the seat and individual comfort

**Adjustable backrest angle** adds comfort and versatility

**Fore/aft isolator** absorbs jarring for extra comfort (Isolator can also be disabled.) (Just PNs: 6848 & 6849)

**Side-to-side isolator** provides lateral movement (Just PN: 6848)

**Easily accessible push-pull air switch** (Just PNs: 6848 & 6849)

**Adjustable shock absorber** (Just PN: 6848)

See **PAGES 2-4** for applications, drawings and additional part information.

- Replacement kits for seat & air suspension (not air-oil)
- Made with durable charcoal gray Tufftex fabric
- Adjustable lumbar support

#### Just PNs: 6848 & 6849 with Air Suspension:

- Air suspension for smoother, more comfortable ride
- Self-contained 12-volt compressor is wired to the tractor's electrical system to provide power to the suspension
- Slide rails provide 5" fore/aft adjustment
- Durable rubber molded suspension cover
- Comes standard with operator presence switch

**PN: 6848 Includes:** KM 1000 Uni Pro™ Seat & Suspension, Install Hardware & Installation Instructions

**PN: 6849 Includes:** KM 1003 Uni Pro™ Seat & Suspension, Install Hardware & Installation Instructions

**PN: 6773 Includes:** KM 1001 Uni Pro™ Seat Assembly, Seat Adapter Plate, Install Hardware & Installation Instructions

Swivel is Optional (PN: 5003 for PNs: 6848 & 6849)

## APPLICATIONS



Tractors

### Fits - Ford®-New Holland® 70 Genesis and 80 4WD Series Tractors

**70 Genesis Series Row Crop:** 8670, 8770, 8870, 8970; **80 4WD Series:** 9280, 9480, 9680, 9880, 9282, 9482, 9682, 9882, 9184, 9384, 9684, 9884

\*Note: Original seat is a Sears seat. Grammer seat is optional.

**PN: 6847 Includes:** KM 1060 Uni Pro™ Seat & Suspension, Pedestal, Install Hardware & Installation Instructions

**PN: 6846 Includes:** KM 1000/1003 Air Suspension, Install Hardware & Installation Instructions

Swivel is Optional (PN: 5003 for PNs: 6847)

See PAGE 4 for drawings.

- Complete seat & suspension replacement kit for air-oil suspension
- **Grammer MSG95/741 Seat**
- Air suspension for smoother, more comfortable ride
- Self-contained 12-volt compressor is wired to the tractor's electrical system to provide power to the suspension compressor
- Adjustable backrest extension
- Adjustable mechanical lumbar support
- Fold-up adjustable armrests
- Shock absorber adjusts for different settings
- 8.25" fore/aft suspension travel
- 3" height adjustment
- Durable suspension cover
- Operator presence switch

When seated, seat depth adjustment (right) and cushion angle adjustment (left) for individual fit

Air adjustment switch

PN: 6847

Tapered back support and adjustable backrest adds comfort and versatility

Plush, spacious cushions for operator comfort

Adjustable slide rails with 4" of travel

Fore/aft isolator absorbs jarring for extra comfort (Isolator can also be disabled.)

PN: 6846

- Suspension replacement kit
- Original Sears air suspension
- Self-contained 12-Volt compressor
- Fore/aft isolator absorbs jarring for extra comfort
- 5" suspension stroke
- 9" maximum height

Air valve

Rubber molded suspension cover keeps suspension components free of dirt and dust

**K&M**  
Manufacturing

**PN: 6425 Includes:** KM 1005 Uni Pro™ Seat & Air Suspension, Pedestal, Swivel, Install Hardware & Installation Instructions

**PN: 6426 Includes:** KM 1005 Uni Pro™ Seat & Mechanical Suspension, Pedestal, Swivel, Install Hardware & Installation Instructions

- **Assembly is required (seat & suspension do not come attached)**
- Choose between 12-Volt air, or mechanical suspension
- Adjustable backrest folds forward and reclines
- Adjustable backrest extension for extra height
- 3-position adjustable seat height within 2.36"
- 110 - 287 lb weight adjustment
- Slide rails provide fore/aft adjustment
- Durable rubber suspension cover

**Cut and sew covering** for a more rugged, comfortable ride



**PN: 6426**

**Mechanical suspension**

**See PAGE 4 for drawings.**

**Contoured foam cushions** to ensure operator comfort



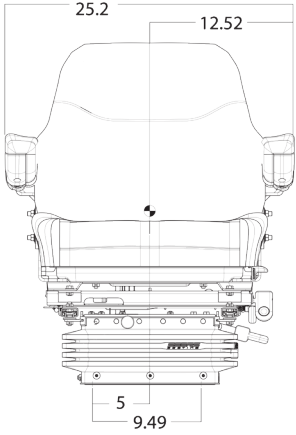
**PN: 6425**

**Adjustable fold-up armrests** with lift 30° up or down

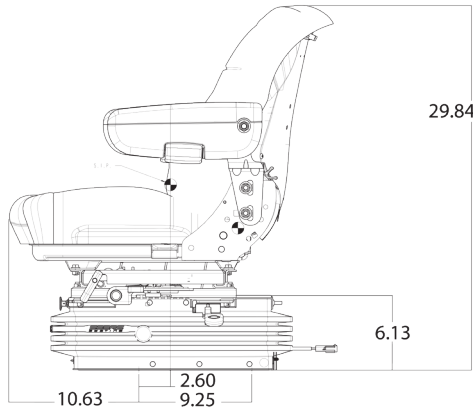
**Durable document pouch** to store owner's manual and other valuables

**Air suspension**

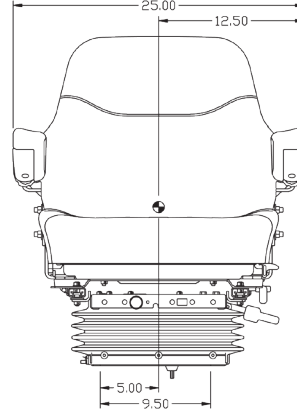
**FRONT VIEW**  
PN: 6848



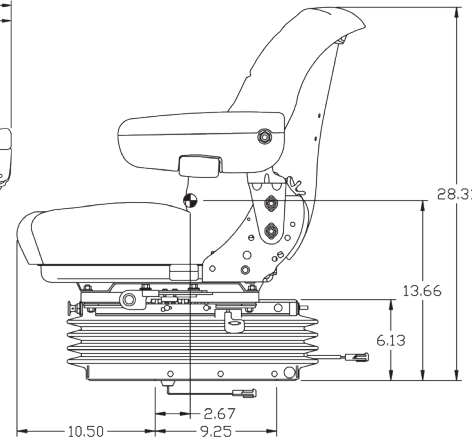
**SIDE VIEW**  
PN: 6848



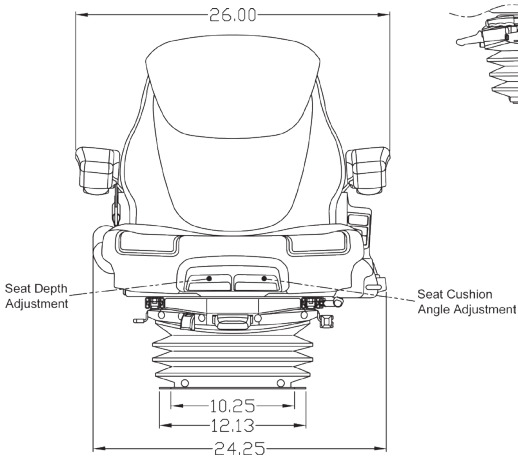
**FRONT VIEW**  
PN: 6849



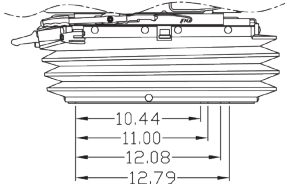
**SIDE VIEW**  
PN: 6849



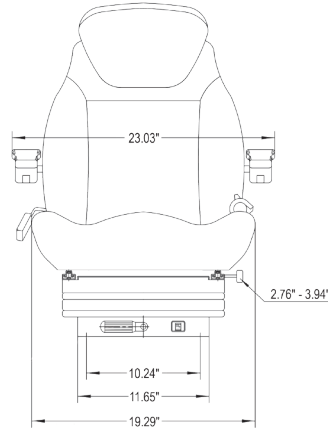
**FRONT VIEW**  
PN: 6847



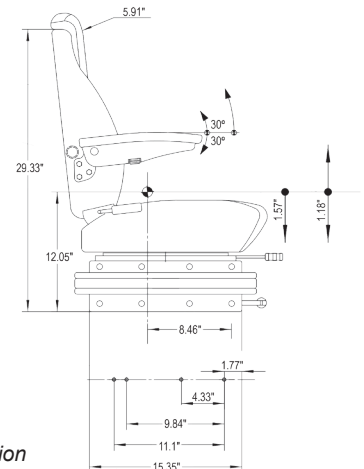
**SIDE VIEW**  
PN: 6847



**FRONT VIEW**  
PNs: 6425 & 6426

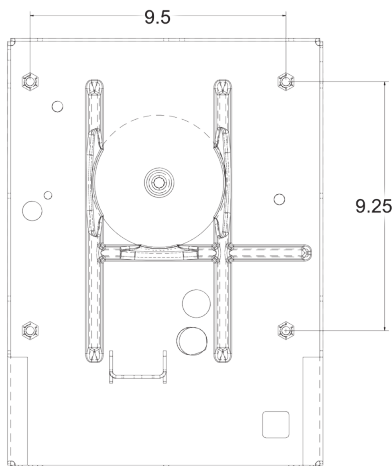


**SIDE VIEW**  
PNs: 6425 & 6426



*\*Drawings show mechanical suspension only and do not show swivel.*

**BOTTOM VIEW**  
PN: 6846



**TOP VIEW**  
PN: 6846

