

Flip-Up Steps

Universal Mount



CHOOSE FROM



OR



Black
PN: 3429

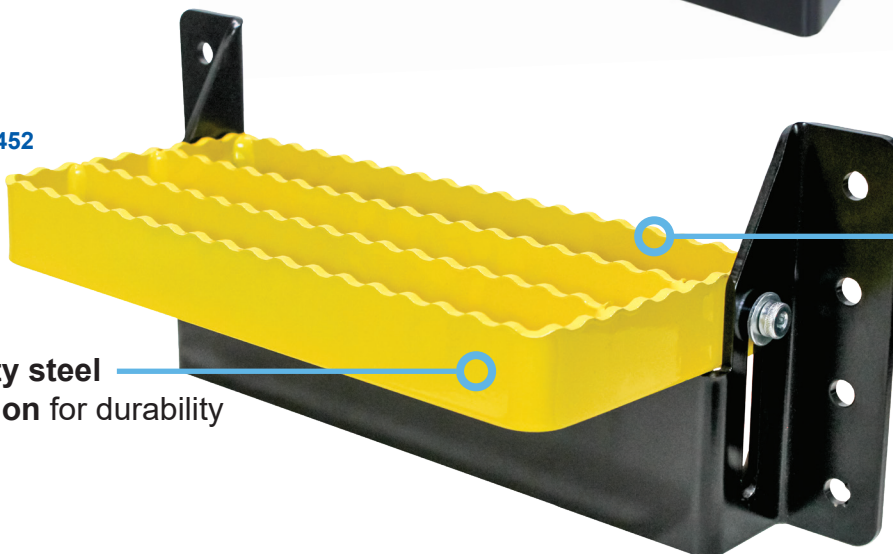
Black/Yellow
PNs: 3452



PN: 3429

Powder coat finish for added durability and wear

PN: 3452



Heavy-duty steel construction for durability

Non-slip serrated step tread for more stability

See REVERSE for applications and drawings.

- Universal step easily mounts to any sturdy vertical surface
- Low-profile flip-up design when step is not in use
- 300 lb weight capacity

TRACTORSFATS.com



800-328-1752

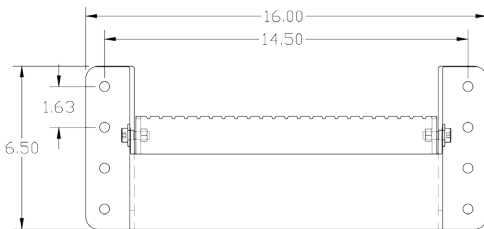
308 NW 2nd Street • Renville, MN 56284



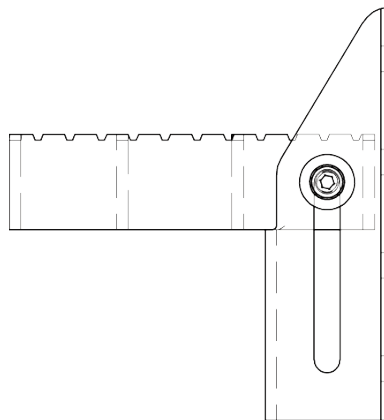
APPLICATIONS

Fits any vertical surface suitable for a step.

FRONT VIEW



SIDE VIEW



TOP VIEW

