

IH Open Floor Series

Seat & Suspension Kits



CHOOSE FROM

KM 1060 Uni Pro™
Seat & Air Suspension
PN: 6731
Black/Gray Matrix Fabric

OR

KM 1057 Uni Pro™
Seat & Air Suspension
PN: 6976
Black/Gray Matrix Fabric

OR

1004 Uni Pro™ Seat
& Mech Suspension
PN: 6653 or 6588
Black Vinyl or Fabric

OR

1005 Uni Pro™ Seat & Air/Mech
Suspension
PN: 6421 or 6422
Black Fabric (Air) or Black Vinyl
(Mech)

See **PAGES 2-4**
for applications,
drawings and
additional part
information.

Adjustable mechanical lumbar supports
your lower back with multiple settings and
provides extra back support (lever on backrest)

**Adjustable fold-up
armrests** allow easy
access to the seat and
individual comfort



**Tapered back
support and
adjustable
backrest** adds
comfort and
versatility

**When seated, seat depth adjustment (right) and
cushion angle adjustment (left)** for individual fit

PN: 6731

**Plush, spacious
cushions** for
operator comfort

Air adjustment switch

Adjustable slide rails with
4" of travel

Durable suspension cover
keeps suspension components
free of dirt and dust

Fore/aft isolator absorbs
jarring for extra comfort
(Isolator can also be disabled.)

- **Grammer MSG95/741 Seat**
- Air suspension for smoother, more comfortable ride
- Replaces original suspension seat
- Self-contained 12-volt compressor is wired to the tractor's electrical system to provide power to the suspension compressor
- Adjustable backrest extension for extra height on back
- Shock absorber adjusts for different settings
- 8.25" fore/aft suspension travel
- 3" height adjustment
- Operator presence switch

PN: 6731 Includes: KM 1060 Uni Pro™ Seat
& Suspension, Pedestal, Install Hardware
& Installation Instructions

Swivel is Optional (PN: 5007 for PN: 6731)

TRACTORS&EATS.com

800-328-1752

308 NW 2nd Street • Renville, MN 56284



APPLICATIONS



Tractors

Fits - International Harvester® Open Floor Series
Tractors: 4366, 4386, 4586, 4786

- Complete seat & suspension replacement kit
- **Assembly is required (seat & suspension do not come attached)**
- **Grammer MSG95/731 Seat**
- Air suspension for smoother, comfortable ride
- Self-contained 12-volt compressor is wired to the tractor's electrical system to provide power to the suspension compressor
- Adjustable backrest extension for extra height
- Fold-up adjustable armrests
- Shock absorber adjusts for different settings
- Suspension stroke up to 7"
- 3" height adjustment
- Durable suspension cover
- Easy access side controls
- 110 - 285 lb weight adjustment with indicator

See PAGE 4 for drawings.

PN: 6976 Includes: KM 1057 Uni Pro™ Seat & Suspension, Pedestal, Install Hardware & Installation Instructions

Swivel is Optional (PN: 5007 for PN: 6976)

PNs: 6653 & 6588 Include: KM 1004 Uni Pro™ Seat & Mechanical Suspension, Swivel, Pedestal, Install Hardware & Installation Instructions

When seated, seat depth adjustment (right) and cushion angle adjustment (left) for individual fit



- Mechanical suspension with 8.25" of travel
- 4" suspension travel
- 1.375" SIP and 2.75" stroke reducer
- 286 lb weight adjustment
- Manual height adjustment
- Slide rails

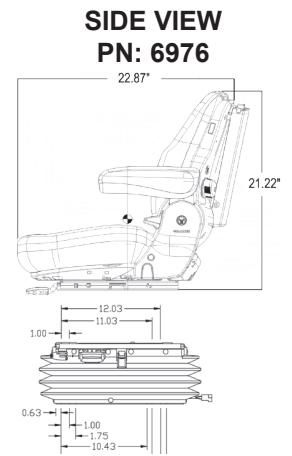
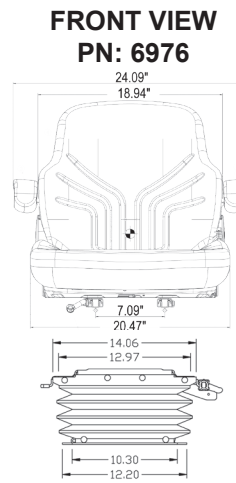
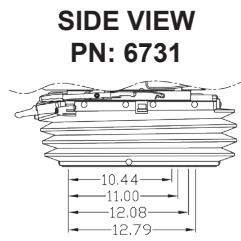
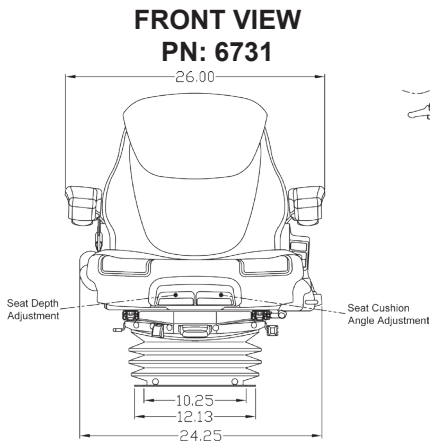
PN: 6421 Includes: KM 1005 Uni Pro™ Seat & Air Suspension, Pedestal, Swivel, Install Hardware & Installation Instructions

PN: 6422 Includes: KM 1005 Uni Pro™ Seat & Mechanical Suspension, Pedestal Swivel, Install Hardware & Installation Instructions

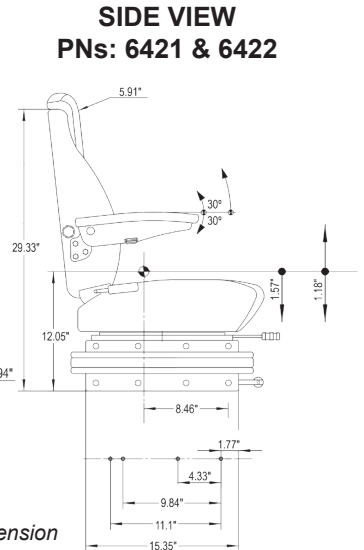
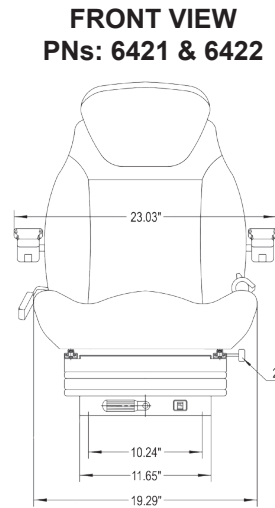
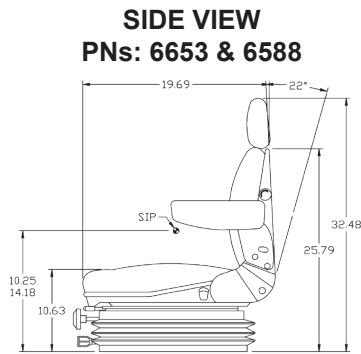
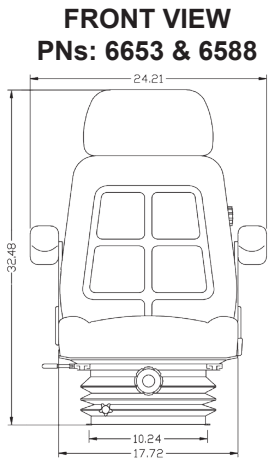
See **PAGE 4**
for drawings.



- **Assembly is required (seat & suspension do not come attached)**
- Choose between 12-Volt air, or mechanical suspension
- Adjustable backrest folds forward and reclines
- Adjustable backrest extension for extra height
- 3-position adjustable seat height within 2.36"
- 110 - 287 lb weight adjustment
- Slide rails provide fore/aft adjustment
- Durable rubber suspension cover



**Drawings show seat top without backrest extension and seat depth/tilt adjustment handles.*



**Drawings show mechanical suspension only and do not show swivel.*