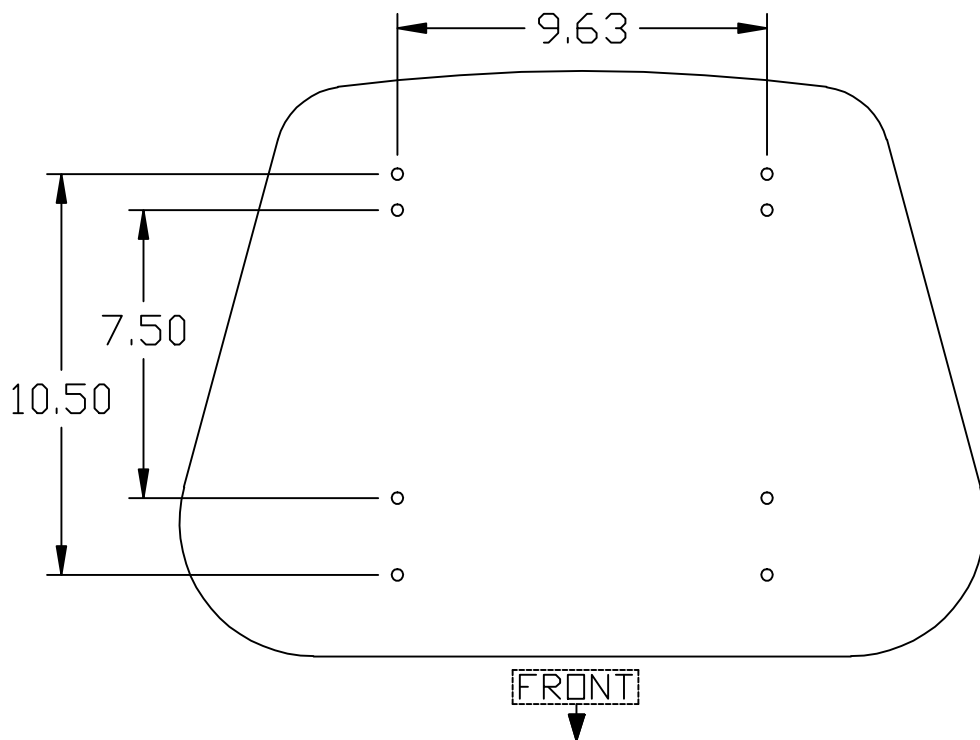
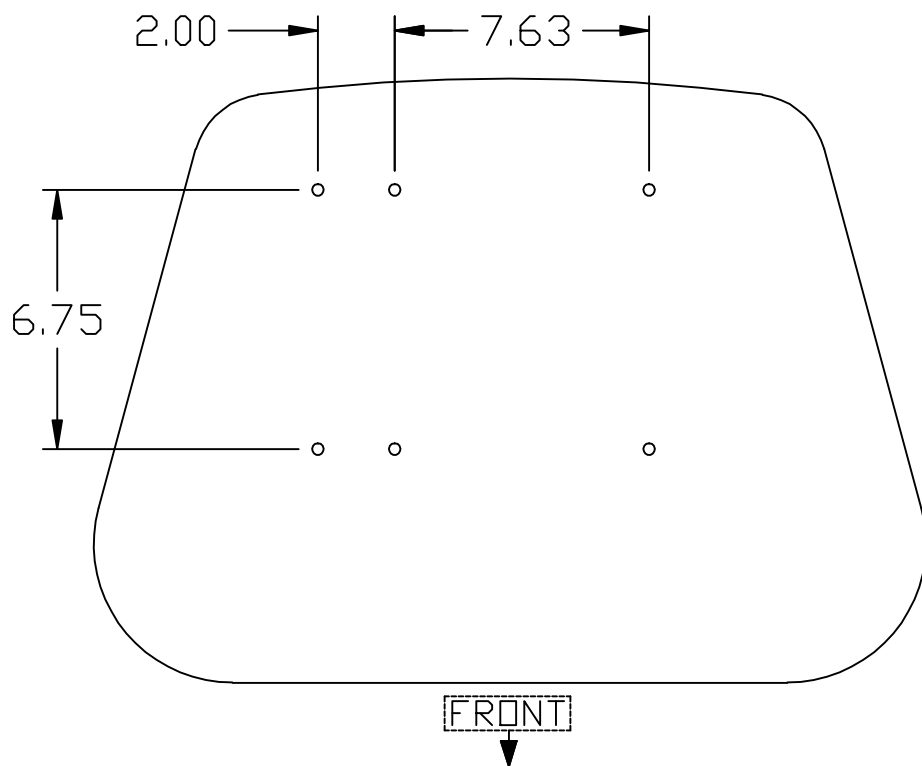


# JD 40 Personal Posture

## Bottom View (Hydraulic)



## Bottom View (Mechanical)



## Backrest Side View

