


# JD 6000-7000 Series

## Seat & Suspension Kits



**NEW PLUG & PLAY SEAT KITS**  
Complete plug and play wiring for easy install.

### CHOOSE FROM

-   
**KM 1061 Uni Pro Seat & Air Suspension**  
**PN: 6899**  
 Brown Fabric
- OR
-   
**1310 Uni Pro Seat & Air Suspension**  
**PN: 6900**  
 Brown Fabric
- OR
-   
**KM MSG95 Air Suspension**  
**PN: 6876**
- OR
-   
**KM MSG85 Mech Suspension**  
**PN: 6877**



Adjustable fold-up armrests allow easy access to the seat and individual comfort

**PN: 6899**

Tapered back support and adjustable backrest adds comfort and versatility

Adjustable mechanical lumbar supports your lower back with multiple settings and provides extra back support (lever on backrest)

Cut and sew cushions for operator comfort

Adjustable slide rails with 4" of travel

Fore/aft isolator absorbs jarring for extra comfort (Isolator can also be disabled.)

See **PAGES 2-3** for applications, drawings and additional part information.

When seated, seat depth adjustment (right) and cushion angle adjustment (left) for individual fit

Air adjustment switch

Durable suspension cover keeps suspension components free of dirt and dust

- Replacement kits for original seat
- Made with durable cut and sew brown fabric
- Air suspension for smoother, more comfortable ride
- Self-contained 12-volt compressor is wired to the tractor's electrical system to provide power to the suspension
- Suspension stroke of 3.94"
- Shock absorber adjusts for different settings
- 8.25" fore/aft suspension travel
- 3" height adjustment
- Comes standard with operator presence switch

**PN: 6899\* Includes:** KM 1061 Uni Pro Seat & Suspension, Seat Adapter Plate, Install Hardware & Installation Instructions

Swivel is Optional (PN: 5007 for PN: 6899)

**\*Please Note:** Tractors with IVT transmission require John Deere Command Arm Bracket, PN: 6022. The purple and orange wires are for the Operator Presence Switch, and the orange and black wires are for the 12-Volt compressor.

## APPLICATIONS



Tractors

### Fits - John Deere 6000-7000 Series Tractors:

**6000 Series:** 6100, 6200, 6300, 6400, 6500, 6800, 6900;  
**6010 Series:** 6010, 6110, 6210, 6310, 6410, 6510, 6610, 6810, 6910; **6015 Series:** 6215, 6415, 6615, 6715; **6020 Series:** 6020, 6120, 6220, 6320, 6420, 6520, 6620, 6820, 6920; **6030 Series:** 6130, 6230, 6230 Premium, 6330, 6330 Premium, 6430, 6430 Premium, 6530, 6530 Premium, 6630, 6630 Premium, 6830, 6830 Premium, 6930, 6930 Premium;  
**6L Series:** 6200L, 6300L, 6320L, 6400L, 6420L, 6500L, 6520L; **6M Series:** 6105M, 6110M, 6115M, 6120M, 6125M, 6130M, 6135M, 6140M, 6145M, 6150M, 6155M, 6170M, 6175M, 6195M; **6S Series:** 6410S, 6420S, 6510S, 6910S, 6920S; **7020 Series:** 7220, 7320, 7420, 7520; **7030 Series:** 7130, 7130 Premium, 7230, 7230 Premium, 7330, 7330 Premium, 7430 Premium, 7430 E Premium, 7530 Premium, 7530 E Premium; **Advantage Series:** 6405, 6605;  
**European Series:** 6506, 6534, 6534 Premium, SE6010, SE6020, SE6100, SE6110, SE6120, SE6200, SE6210, SE6220, SE6300, SE6310, SE6320, SE6400, SE6410, SE6420, SE6510, SE6520, SE6610, SE6620

**PN: 6900\* Includes:** KM 1310 Uni Pro Seat & Suspension, Seat Adapter Plate, Install Hardware & Installation Instructions

Swivel is Optional (PN: 5007 for PN: 6900)

\*Please Note: Tractors with IVT transmission require John Deere Command Arm Bracket, PN: 6022. The purple and orange wires are for the Operator Presence Switch, and the orange and black wires are for the 12-Volt compressor.

- Plush, spacious brown fabric cushions for comfort
- Low-frequency Grammer MSG95G DDS (Dynamic Dampening Suspension) air suspension
- Self-contained 12-volt compressor is wired to the tractor's electrical system to provide power to the suspension compressor
- Adjustable fold-up armrest for easy access
- 21.6" seat cushion width
- 3.9" suspension stroke
- 3.1" height adjustment
- Weight adjustment
- Meets ANSI requirements and ISO specifications

See **PAGE 3** for drawings.

PN: 6900



When seated, seat depth adjustment (right) and cushion angle adjustment (left) for individual fit

Durable rubber molded suspension cover keeps suspension components free of dirt and dust

Adjustable backrest extension for extra height on back

Adjustable lumbar supports your lower back with multiple settings

-10° – +34° adjustable backrest adds comfort and versatility

Air switch

Slide rails provide 8.3" fore/aft adjustment ensuring operator comfort

Fore/aft isolator absorbs jarring for extra comfort

**PN: 6876 Includes:** KM MSG95 Air Suspension, Seat Adapter Plates, Install Hardware & Installation Instructions

**PN: 6877 Includes:** KM MSG85 Mechanical Suspension, Seat Adapter Plates, Install Hardware & Installation Instructions

- Suspension replacement kit
- Self-contained 12-Volt compressor
- Fore/aft isolator absorbs jarring for extra comfort
- 4" suspension travel with suspension stroke up to 7"
- Manual weight adjustment
- 110 - 285 lb weight adjustment with weight indicator

**PN: 6876**



**Side controls**

**Rubber molded suspension cover** keeps suspension components free of dirt and dust

**PN: 6877**

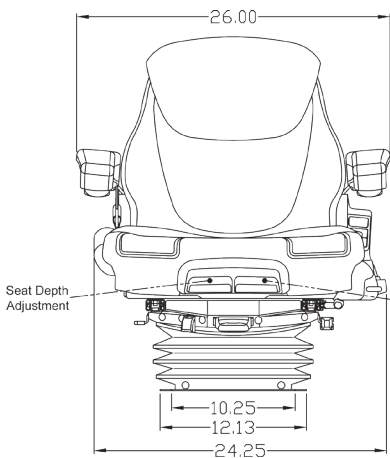


**Rubber molded suspension cover** keeps suspension components free of dirt and dust

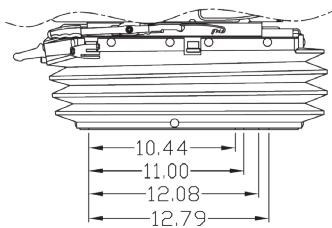
**Flip handle weight adjustment**

- Suspension replacement kit
- 4" suspension travel with suspension stroke up to 7"
- 110 - 285 lb weight adjustment with weight indicator
- Three-position height adjustment
- Height adjustment of 3"

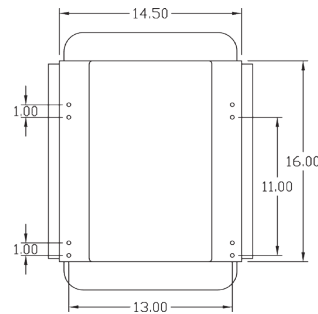
**FRONT VIEW**  
PNs: 6899 & 6900



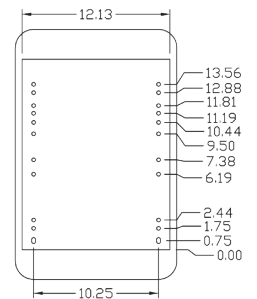
**SIDE VIEW**  
PNs: 6899 & 6900



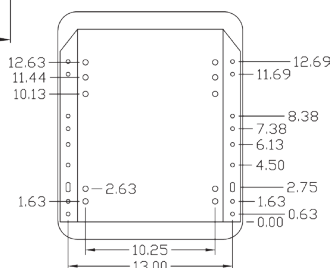
**TOP VIEW**  
PN: 6876



**BOTTOM VIEW**  
PN: 6876



**TOP VIEW**  
PN: 6877



**BOTTOM VIEW**  
PN: 6877

