







JD 7000-7010 Series

Seat & Suspension Kits



CHOOSE FROM

- | | | | | | | | | | | |
|--|----|---|----|---|----|---|----|---|----|---|
| 
KM 1061 Uni Pro™
Seat & Air Suspension
PN: 6889
Brown Fabric | OR | 
1310 Uni Pro™ Seat
& Air Suspension
PN: 6890
Brown Fabric | OR | 
1000 Uni Pro™ Seat
& Air Suspension
PN: 6715
Brown Fabric | OR | 
1003 Uni Pro™ Seat
& Air Suspension
PN: 6716
Brown Fabric | OR | 
1300 Uni Pro™ Seat
& Air Suspension
PN: 6718
Brown Fabric | OR | 
KM 1000/1003
Air Suspension
PN: 6775 |
|--|----|---|----|---|----|---|----|---|----|---|

NEW PLUG & PLAY SEAT KITS (PNs: 6889 & 6890)
 Complete plug and play wiring for easy install.

See **PAGES 2-4** for applications, drawings and additional part information.



Adjustable fold-up armrests allow easy access to the seat and individual comfort

Tapered back support and adjustable backrest adds comfort and versatility

Adjustable mechanical lumbar supports your lower back with multiple settings and provides extra back support (lever on backrest)

Cut and sew cushions for operator comfort

Adjustable slide rails with 4" of travel

Fore/aft isolator absorbs jarring for extra comfort (Isolator can also be disabled.)

When seated, seat depth adjustment (right) and cushion angle adjustment (left) for individual fit

Air adjustment switch

Durable suspension cover keeps suspension components free of dirt and dust

PN: 6889

- Replacement kits for original seat
- **Grammer MSG95/741 Seat**
- Made with durable cut and sew brown fabric
- Backrest extension for extra height adjustment
- Air suspension for smoother, more comfortable ride
- Self-contained 12-volt compressor is wired to the tractor's electrical system to provide power to the suspension
- Suspension stroke of 3.94"
- Shock absorber adjusts for different settings
- 8.25" fore/aft suspension travel
- 3" height adjustment
- Comes standard with operator presence switch

PN: 6889 Includes: KM 1061 Uni Pro™ Seat & Suspension, Seat Adapter Plate, Install Hardware & Installation Instructions

Swivel is Optional (PN: 5007 for PN: 6889)

APPLICATIONS



Tractors

Fits - John Deere® 7000-7010 Series Tractors:
7000 Series: 7200, 7400, 7500, 7600, 7700, 7800
7010 Series: 7210, 7410, 7510, 7610, 7710, 7810

PNs: 6889 & 6890 Also Fit -
John Deere® 7020-7030 Series Tractors:
7020 Series: 7720, 7820, 7920
7030 Series: 7630, 7730, 7830, 7930

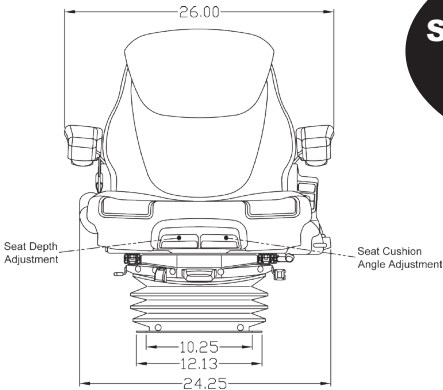
PN: 6890 Includes: KM 1310 Uni Pro™ Seat & Suspension, Seat Adapter Plate, Install Hardware & Installation Instructions

Swivel is Optional (PN: 5007 for PN: 6890)

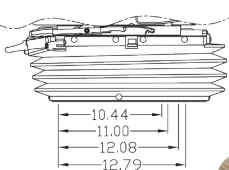
- Plush, spacious brown fabric cushions for comfort
- **Grammer MSG95 DDS/741 Seat**
- Low-frequency Grammer MSG95G DDS (Dynamic Dampening Suspension) air suspension
- Self-contained 12-volt compressor is wired to the tractor's electrical system to provide power to the suspension compressor
- Adjustable fold-up armrest for easy access
- 21.6" seat cushion width
- 3.9" suspension stroke
- 3.1" height adjustment
- Weight adjustment
- Meets ANSI requirements and ISO specifications

NEW PLUG & PLAY SEAT KITS (PNs: 6889 & 6890)
Complete plug and play wiring for easy install.

FRONT VIEW
PNs: 6889 & 6890



SIDE VIEW
PNs: 6889 & 6890



PN: 6890



Adjustable backrest extension for extra height on back

Adjustable lumbar supports your lower back with multiple settings

-10° – +34° adjustable backrest adds comfort and versatility

Air switch

Slide rails provide 8.3" fore/aft adjustment ensuring operator comfort

Fore/aft isolator absorbs jarring for extra comfort

When seated, seat depth adjustment (right) and cushion angle adjustment (left) for individual fit

Durable rubber molded suspension cover keeps suspension components free of dirt and dust



- Replacement kits for seat & air suspension
- Made with durable brown Tufftex fabric
- Adjustable lumbar support
- Air suspension for smoother, more comfortable ride
- Self-contained 12-volt compressor is wired to tractor's electrical system to provide power to the suspension
- Slide rails provide 5" fore/aft adjustment
- Durable rubber molded suspension cover
- Comes standard with operator presence switch

PN: 6715

Adjustable padded armrests fold up and out of the way allowing easy access to the seat and individual comfort

Adjustable backrest angle adds comfort and versatility

Fore/aft isolator absorbs jarring for extra comfort (Isolator can also be disabled.)

Side-to-side isolator provides lateral movement (Just PN: 6715)

Easily accessible push-pull air switch

Adjustable shock absorber (Just PN: 6715)

See **PAGE 4** for drawings.

PN: 6716



PN: 6715 Includes: KM 1000 Uni Pro™ Seat & Suspension, Pedestal, Install Hardware & Installation Instructions

PN: 6716 Includes: KM 1003 Uni Pro™ Seat & Suspension, Pedestal, Install Hardware & Installation Instructions

PN: 6775 Includes: KM 1000/1003 Air Suspension, Replacement Personal Posture Seat Cushion, Pedestal, Slide Rails, Seat Adapter Plate & Angles, Swivel, Wiring Harness, Install Hardware & Installation Instructions

Swivel is Optional (PN: 5003 for PNs: 6715 & 6716)

PN: 6775

- Suspension replacement kit
- Original Sears air suspension
- Self-contained 12-Volt compressor
- Fore/aft isolator absorbs jarring for extra comfort
- 5" suspension stroke
- 9" maximum height



Air valve

Rubber molded suspension cover keeps suspension components free of dirt and dust

- Vibration reduction system improves comfort, performance and productivity
- Semi-active suspension system provides improved vibration reduction
- Contoured cushions for added comfort
- +/- 25° swivel
- Front mounted controls for easy access
- Air adjustment switch (100 - 305 lbs)
- Durable document pouch stores owner's manual and other valuable

PN: 6718

PN: 6718 Includes: KM 1300 Uni Pro™ Seat & Suspension, Swivel, Pedestal, Install Hardware & Installation Instructions



Mechanical lumbar supports your lower back with multiple settings

Adjustable padded armrests fold up and out of the way allowing easy access to the seat and individual comfort

Retractable seat belt for added safety

Adjustable backrest angle adds comfort and versatility

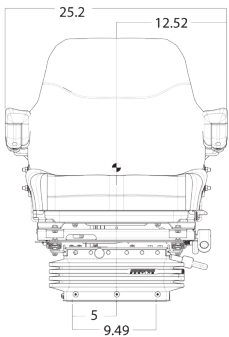
Durable suspension cover keeps components free of dirt and dust

6" integrated slide rails

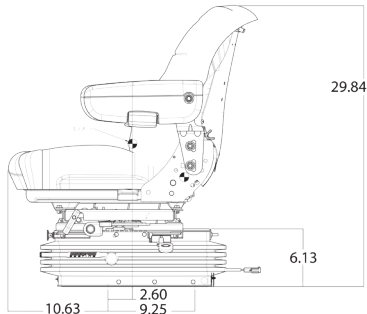
Side-to-side isolator provides lateral movement

Fore/aft isolator absorbs jarring for extra comfort

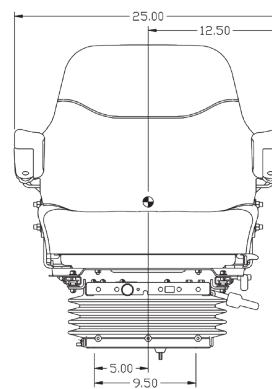
**FRONT VIEW
PN: 6715**



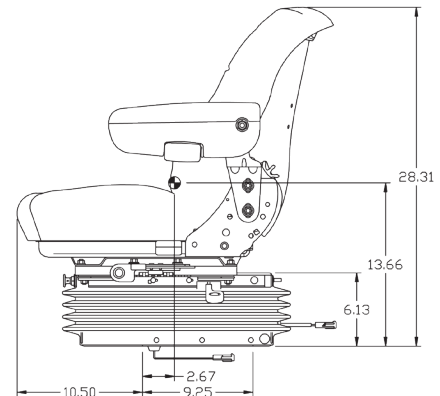
**SIDE VIEW
PN: 6715**



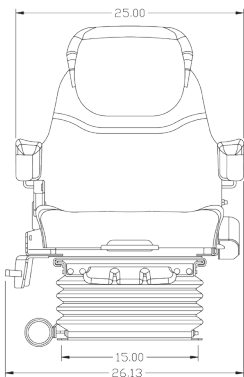
**FRONT VIEW
PN: 6716**



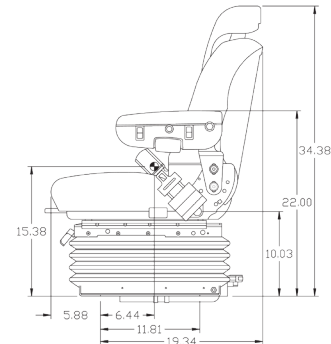
**SIDE VIEW
PN: 6716**



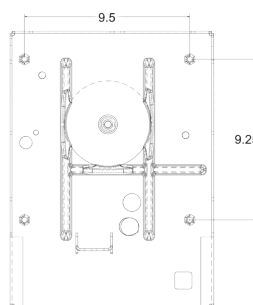
**FRONT VIEW
PN: 6718**



**SIDE VIEW
PN: 6718**



**BOTTOM VIEW
PN: 6775**



**TOP VIEW
PN: 6775**

