

KM 1020

Uni Pro™ Seat & Suspension



Multi-Gray Fabric
PN: 8062

KAB//Seating

Durable textile cover
adds comfort and durability

Adjustable backrest angle adds comfort and versatility

5-position adjustable lumbar provides extra back support

110 - 265 lb weight adjustment

Seat belt fixation point

Slide rails provide 8" fore/aft adjustment in .4" increments ensuring operator comfort

Durable rubber molded suspension cover keeps suspension components free of dirt and dust

- **KAB 514 Seat**
- 2 spring mechanical suspension
- 4" vertical suspension stroke
- 2.5" height and suspension tilt adjustment
- Armrest kit (optional)
- Meets ISO 7096 vibration rating
- Meets EM1, EM3, EM4, EM5, EM6 and EM8 specifications

See **REVERSE** for applications, drawings and options.



TRACTORSSEATS.com CONSTRUCTIONSEATS.com

800-328-1752

308 NW 2nd Street • Renville, MN 56284



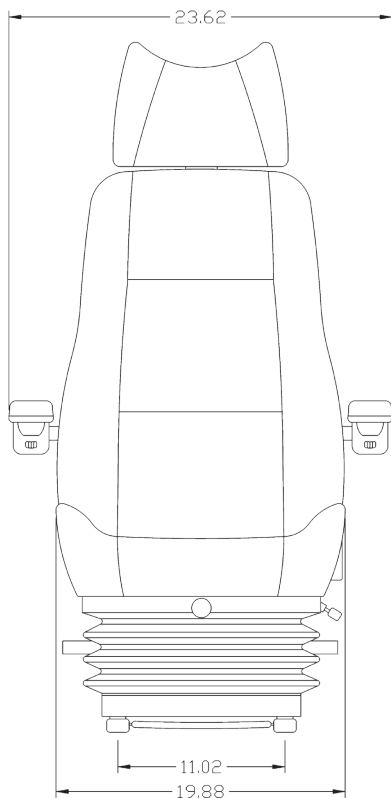
APPLICATIONS



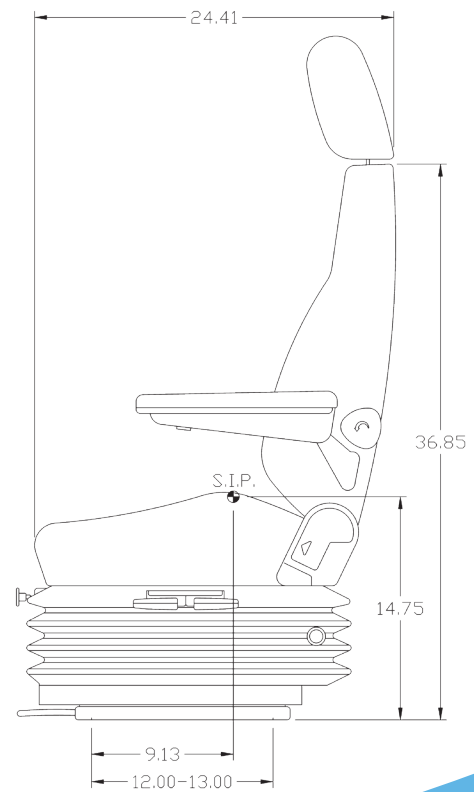
OPTIONS

- 8111 Retractable Seat Belt
- 8144 Armrest Kit
- 8434 Headrest (Black Fabric)

FRONT VIEW



SIDE VIEW



**Drawings shown with optional armrests and headrest.*