

Caterpillar®

Uni Pro™ Seat & Suspension Kit



Multi-Gray Fabric
PN: 6863

KAB//Seating

Durable textile cover
adds comfort and durability

Adjustable backrest angle adds comfort and versatility

5-position adjustable lumbar provides extra back support

Seat belt fixation point

110 - 265 lb weight adjustment

Durable rubber molded suspension cover keeps suspension components free of dirt and dust

Slide rails provide 8" fore/aft adjustment in .4" increments ensuring operator comfort

PN: 6863 Kit Includes: KM 1020 Uni Pro™ Seat & Suspension, KAB CAT Adapter Plate & Bolt Bag

See **REVERSE** for applications, drawings and options.

- 2 spring mechanical suspension
- 4" vertical suspension stroke
- 2.5" height and suspension tilt adjustment
- Armrest kit (optional)
- Meets ISO 7096 vibration rating
- Meets EM1, EM3, EM4, EM5, EM6 and EM8 specifications



TRACTORSEATS.com **CONSTRUCTIONSEATS.com**

800-328-1752

308 NW 2nd Street • Renville, MN 56284



APPLICATIONS



Fits - Caterpillar® Construction Equipment

Motor Graders: 12H, 120H, 120M, 135H, 14H, 14M, 140H, 140M, 143H, 16H, 16M, 160H, 160M, 163H, 24H, 24M

Pipelayers: 561N, 572R, 583R, 583T, 587R, 587T

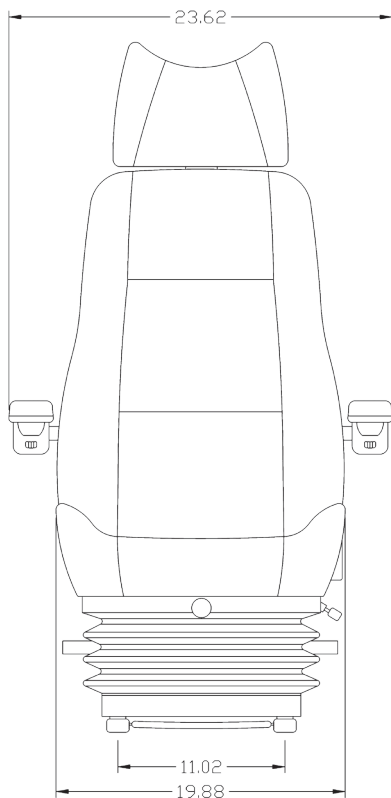
Rigid Dump Trucks (Off-Highway): 769D, 770, 771D, 772, 773D, 773E, 773F, 775D, 775E, 775F, 776C, 776D, 777C, 777D, 777F, 784B, 784C, 785B, 785C, 789B, 789C, 793B, 793C, 793D, 797, 797B

Track Dozers: D3G, D4G, D5G, D5M, D5N, D6H, D6M, D6N, D6R, D7H, D7R, D8N, D8R, D8T, D9N, D9R, D9T, D10N, D10R, D10T, D11N, D11R, D11T

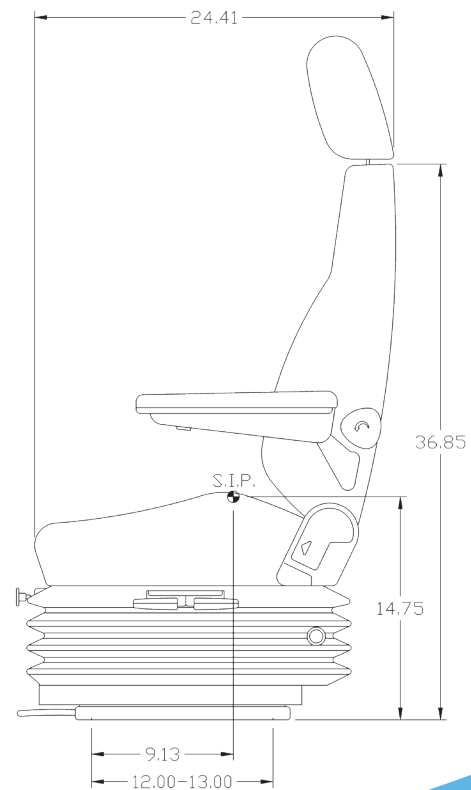
OPTIONS

- 8111 Retractable Seat Belt
- 8144 Armrest Kit
- 8434 Headrest (Black Fabric)

FRONT VIEW



SIDE VIEW



**Drawings shown with optional armrests and headrest.*