

KM 1098

Uni Pro™ Seat & Suspension



Black Fabric
PN: 8035



FEATURING
FRONT
CONTROLS

Thicker side support on cushions for added comfort and support

Wide adjustable armrests fold up and out of the way allowing easy access to the seat and individual comfort

Air switch

Adjustable backrest adds comfort and versatility

Durable rubber molded suspension cover keeps suspension components free of dirt and dust

Slide rails provide fore/aft adjustment ensuring operator comfort

Adjustable headrest

Adjustable mechanical lumbar supports your lower back with multiple settings

Two-point retractable seat belt for added safety

Height adjustment

Suspension tilt adjustment

See **REVERSE** for applications and drawings.

- Self-contained 24-Volt compressor is wired to the tractor's electrical system to provide power to the suspension compressor
- Heavy-duty construction seat & electrical air suspension

TRACTORSSEATS.com CONSTRUCTIONSEATS.com

800-328-1752

308 NW 2nd Street • Renville, MN 56284



APPLICATIONS



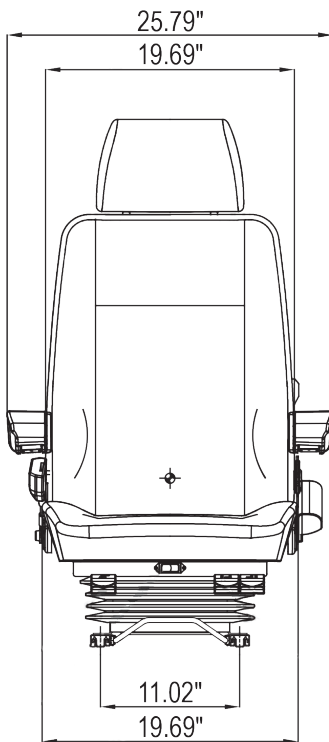
Excavators



Front End Loaders

Direct fit for Volvo®, JCB® & Caterpillar® front end loaders

FRONT VIEW



SIDE VIEW

