

KM 1099

Uni Pro™ Seat & Suspension



Black Fabric
PN: 8034



Wide adjustable armrests fold up and out of the way allowing easy access to the seat and individual comfort

Adjustable headrest

Thicker side support on cushions for added comfort and support

Adjustable air lumbar supports your lower back with multiple settings

Two-point retractable seat belt for added safety

Adjustable backrest adds comfort and versatility

Self contained 24-Volt compressor with front controls

Durable rubber suspension cover keeps suspension components free of dirt and dust

Height and suspension tilt adjustment with a single knob

Slide rails provide 4" fore/aft adjustment ensuring operator comfort

See **REVERSE** for applications and drawings.

- Heavy-duty construction seat & electric air suspension

TRACTORSEATS.com CONSTRUCTIONSEATS.com



800-328-1752

308 NW 2nd Street • Renville, MN 56284



APPLICATIONS



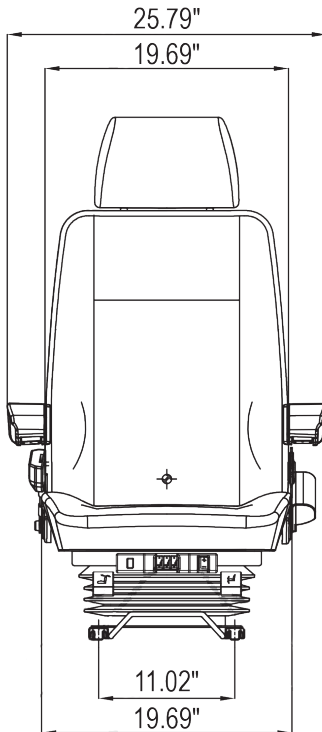
Excavators



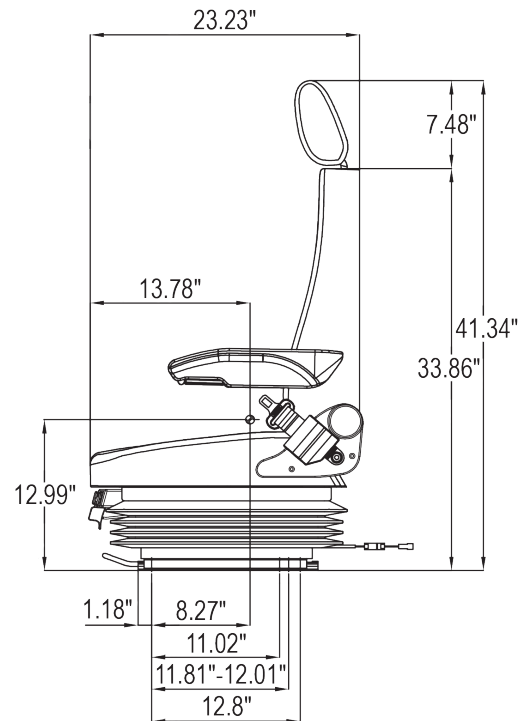
Front End Loaders

Direct fit for Volvo®, JCB® & Caterpillar® front end loaders

FRONT VIEW



SIDE VIEW



*Drawings not shown with standard armrests.