

# KM 1250

## Uni Pro™ Seat & Suspension



Black/Gray  
Matrix Fabric  
PN: 8254



**Plush, spacious cushions** with seat depth and cushion angle adjustment

**Adjustable headrest**

**Adjustable armrests** fold up and out of the way allowing easy access to the seat

**Adjustable backrest angle and tapered back support** adds comfort and versatility

**When seated, seat depth adjustment (right) and cushion angle adjustment (left)** for individual fit

**Control pods**

**Heavy-duty Grammer MSG85 mechanical suspension** with flip handle adjustment

See **REVERSE** for applications, drawings, and options.

- **Grammer MSG85/722 Seat with Pods**
- Adjustable mechanical lumbar support
- Fore/aft isolator with 8.25" of travel
- 3" height adjustment
- Adjustable slide rails with 4" of travel
- Shock absorber
- Operator presence switch
- Durable rubber molded suspension cover protects suspension

[TRACTORSSEATS.com](http://TRACTORSSEATS.com) [CONSTRUCTIONSEATS.com](http://CONSTRUCTIONSEATS.com)



**800-328-1752**

308 NW 2nd Street • Renville, MN 56284



## APPLICATIONS



Excavators

## OPTIONS

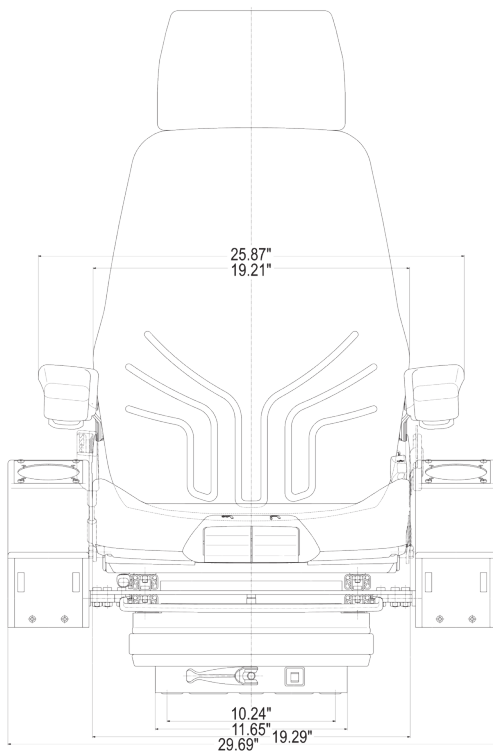
- 7996 Retractable Seat Belt
- 8400 MSG85/95 Lateral Isolator Kit  
*\*Will only work if a Grammer 700 Series seat top is being used*

## MAINTENANCE ITEMS

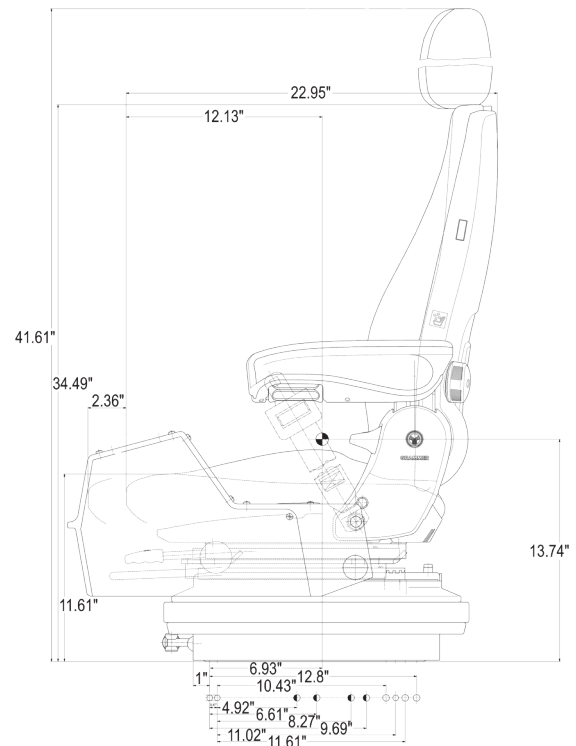
- 7966 Replacement LH Armrest
- 7967 Replacement RH Armrest
- 8158 Replacement Backrest Adjust Handle Kit
- 8448 Replacement LH or RH Backrest Adjust Handle Kit
- 8372 Replacement Seat Belt Cover Kit
- 8594 Replacement Seat Depth/Tilt Kit

**\*Maintenance Items only fit the K&M seat assembly.**

### FRONT VIEW



### SIDE VIEW



*\*Drawing shown without standard pods.*