

KM 133

Uni Pro™ Hinged Bucket Seat



**SEAT
COVERS
AVAILABLE**



Yellow Vinyl
PN: 8281

milsco®

**Drain hole prevents
water build-up**



**Plastic puck for hinge
pin placement**



**Durable blow molded
plastic frame is
corrosion resistant**



➔ **Note:** Seat is a drop in replacement. Simply remove the existing seat by removing the pin, removing the seat switch and installing the new seat and seat switch.

See **REVERSE**
for applications,
drawings
and options.

- Replacement seat for hinged panned 18" tall backed seat
- Ergonomic cushion: 18.75" x 18.80" (W x H)

TRACTORSEATS.com **TURFS**EATS.com



800-328-1752

308 NW 2nd Street • Renville, MN 56284



APPLICATIONS



Tractors



Lawn Mowers

Fits - John Deere® Lawn Mowers

(Replaces John Deere® Numbers AUC13500, AUC11188, AM136044)

GT Series: GT225, GT235, GT235E, GT242, GT245, GT262, GT275;
GX Series: GX255, GX325, GX335, GX345, GX355; **LX Series:** LX172, LX173, LX176, LX178, LX186, LX188, LX255, LX266, LX277, LX279, LX280, LX288, LX289; **X300 Series:** X300, X300R, X304, X305R, X310, X320, X324, X330, X340, X350, X350R, X354, X360, X370, X380, X384, X390, X394; **X500 Series:** X500, X520, X530, X534, X540, X570, X580, X584

OPTIONS

7947 Armrest Kit

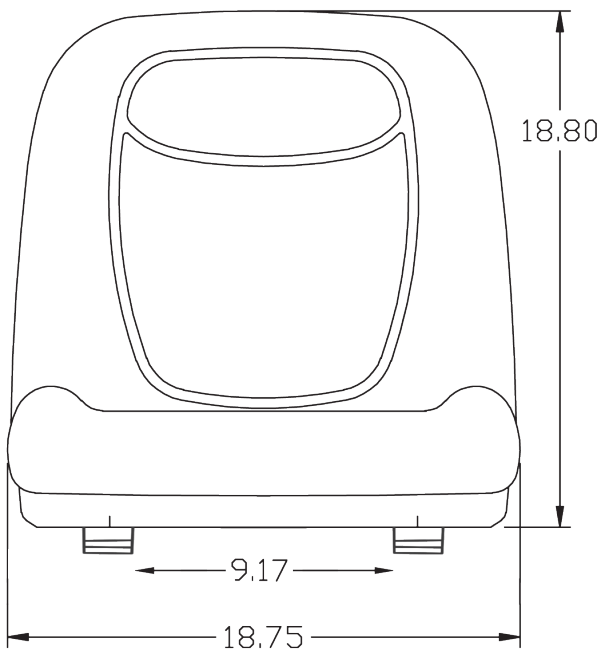
EXACT SEAT COVERS

9100 Yellow Endura Fabric

9101 Black Endura Fabric

9102 Camo Endura Fabric

FRONT VIEW



SIDE VIEW

