

KM 142

Uni Pro™ Seat Assembly



Black Vinyl
PN: 8546

Adjustable fold-up armrests to ensure operator safety



Seamless molded and contoured foam cushions for added comfort

Steel frame with black powder coat finish for long-lasting durability

See **REVERSE** for applications, drawings and options.

- Fold-down backrest cushion for easy access behind the seat and to protect seat from outside weather
- Seat dimensions: 23" x 18.5" x 21.25" (W x H x D)
- Accepts operator presence switch
- Adjustable slide rails from 4.5" - 12.5" side-to-side



TRACTORSSEATS.com CONSTRUCTIONSEATS.com

800-328-1752

308 NW 2nd Street • Renville, MN 56284



APPLICATIONS



Also: Material Handling Equipment

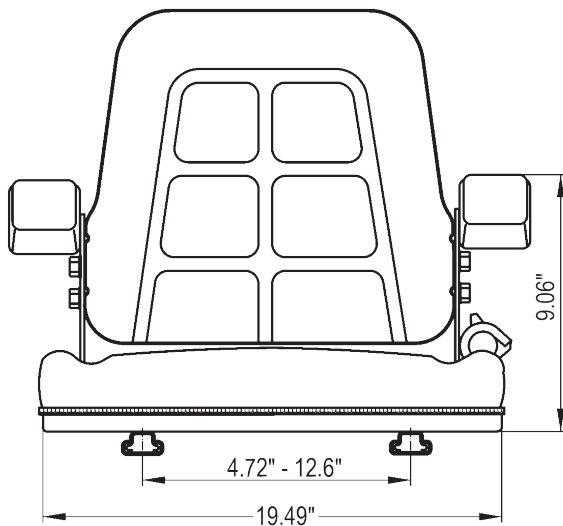
OPTIONS

- 8665 Operator Presence Switch (Normally Open)
- 8668 Operator Presence Switch (Normally Closed)

MAINTENANCE ITEMS

- 8574 Replacement Armrest Kit

FRONT VIEW



SIDE VIEW

