

# KM 236

## Uni Pro™ Seat & Suspension



### CHOOSE FROM



Black Vinyl  
PN: 7924

OR



Gray Vinyl  
w/ Armrests  
PN: 7936

## milsco®



PN: 7924



PN: 7936

Contoured foam cushions for added comfort

Armrests fold up and out of the way allowing easy access to the seat (standard on PN: 7936 only)

Manual weight adjustment with maximum allowable weight of 270 lbs.

Adjustable lumbar supports your lower back with multiple settings

Slide rails with 6" fore/aft adjustment ensuring operator comfort

Mechanical suspension with 2.36" of travel for comfortable ride

### CUSHION REPLACEMENTS AVAILABLE

IN BLACK OR GRAY VINYL

See reverse side for part numbers.



See REVERSE for applications, drawings and options.

- Milsco V5300 Seat
- Operator presence switch meets OEM safety standards
- Repair kits available

TRACTORSSEATS.com CONSTRUCTIONSEATS.com TURFSEATS.com

# 800-328-1752

308 NW 2nd Street • Renville, MN 56284



## APPLICATIONS



## OPTIONS

- 7926 Armrest Kit
- 7925 45.5" Retractable Seat Belt
- 8443 47" Retractable Seat Belt with Switch
- 8590 51.5" Orange Retractable Seat Belt

## MAINTENANCE ITEMS \*Only fit K&M seat assembly

- 7950 Replacement Seat Cushion (Black Vinyl)
- 7951 Replacement Back Cushion (Black Vinyl)
- 7969 Replacement Seat Cushion (Gray Vinyl)
- 7970 Replacement Back Cushion (Gray Vinyl)
- 8005 Replacement Back Panel
- 7976 Replacement Weight Adjust Kit
- 8291 Replacement Knob Kit
- 7973 Replacement Spring & Saddle Kit
- 7975 Replacement Shock Absorber Kit



**NEW**

Cover kit available for KM 236.

\*Modification required to fit armrests on PN: 7936

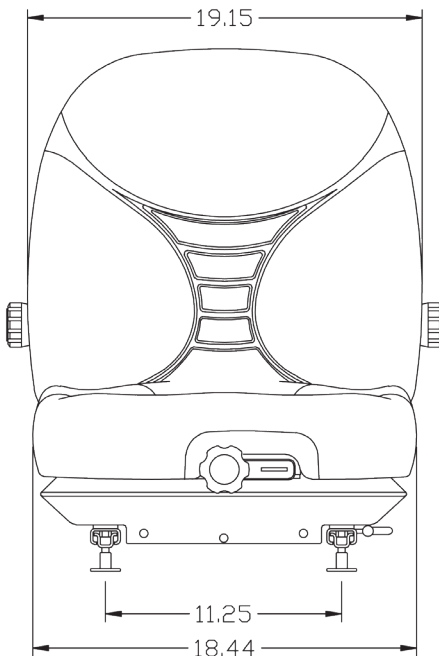
PN: 9105

*Inquire for more details.*

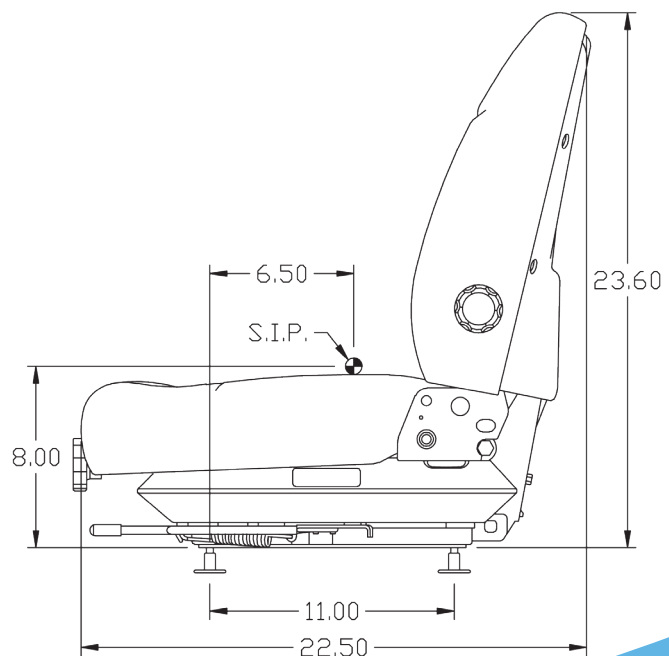
## SEAT/BACKREST COVER

- 9105 KM 236/238 Seat/Backrest Cover  
\*Modification Required to Fit Armrests on PN: 7936

FRONT VIEW



SIDE VIEW



\*Drawings show PN: 7924.