

KM 242

Uni Pro™ Seat & Suspension



Black Vinyl
w/Armrests
PN: 6812



**REPLACES
ORIGINAL
VANGUARD
SEAT**
IN KUBOTA
TRACTORS



Armrests fold up and out of the way allowing easy access to the seat

Contoured foam cushions for added comfort

Drain hole prevents water build-up

Adjustable lumbar supports your lower back with multiple settings

Manual weight adjustment with maximum allowable weight of 270 lbs

Mechanical suspension with 2.36" of travel for comfortable ride

Fore/aft slide rail adjustment ensures operator comfort



NEW

Cover kit available for KM 242.
*Modification required to fit armrests.

PN: 9105
Inquire for more details.

See **REVERSE** for applications, drawings and options.

- Backrest angle adjustment from 5° forward to 15° backward
- Includes pedestal and install hardware
- Operator presence switch



TRACTORSEATS.com



800-328-1752

308 NW 2nd Street • Renville, MN 56284



APPLICATIONS



Tractors

Fits - Kubota® M Series M4700, M4700DT, M4900, M4900DT, M5400, M5400DT, M5700, M5700DT, M5700HD, M6800/S, M6800DT/SDT, M6800HD, M8200, M8200DT, M8200HD, M9000, M9000DT, M9000DTL, M9000DTM, M9000HD

***Replaces original Vanguard seat.**

OPTIONS

- 7925 45.5" Retractable Seat Belt
- 8443 47" Retractable Seat Belt with Switch
- 8590 51.5" Orange Retractable Seat Belt

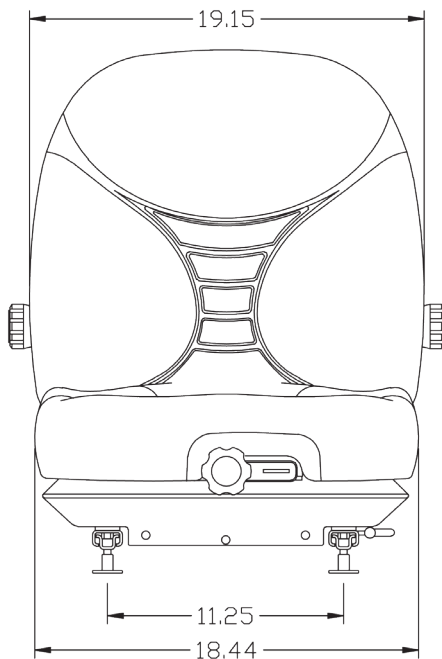
SEAT/BACKREST COVER

- 9105 KM 236/238 Seat/Backrest Cover
***Modification Required to Fit Armrests**

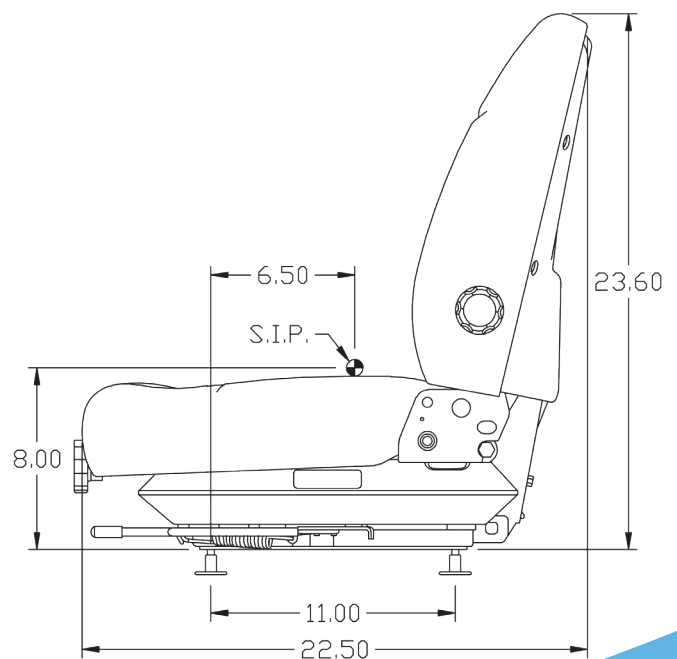
MAINTENANCE ITEMS

- 7926 Replacement Armrest Kit
- 7950 Replacement Seat Cushion (Black Vinyl)
- 7951 Replacement Back Cushion (Black Vinyl)
- 7969 Replacement Seat Cushion (Gray Vinyl)
- 7970 Replacement Back Cushion (Gray Vinyl)
- 8005 Replacement Back Panel
- 8291 Replacement Knob Kit
- 7973 Replacement Spring & Saddle Kit
- 7975 Replacement Shock Absorber Kit
- 7976 Replacement Weight Adjust Kit

FRONT VIEW



SIDE VIEW



*Drawings shown without armrests.
Drawings do not show dimensions of pedestal.*