

KM 438

Uni Pro™ Seat & Suspension



Black Vinyl
PN: 8382

seats®

Versatile 4" single locking slide rails with 3" for travel allow easy movement for operators of almost any size

Cut and sew vinyl means a more rugged, comfortable cover

15° adjustable backrest adds comfort and versatility

Manual weight adjustment with maximum allowable weight of 280 lbs.

Bellows suspension cover keeps components free of dirt and dust

- Integrated compact mechanical suspension
- Elastomeric vibration control (EVC) for additional cushion comfort
- Adjustable mechanical lumbar
- ICP for seat belt attachment
- 3" suspension motion
- Shock absorber
- Accepts Delta Plunger cushion occupancy switch

See **REVERSE** for applications, drawings and options.



TRACTORSSEATS.com CONSTRUCTIONSEATS.com TURFSEATS.com

800-328-1752

308 NW 2nd Street • Renville, MN 56284



APPLICATIONS



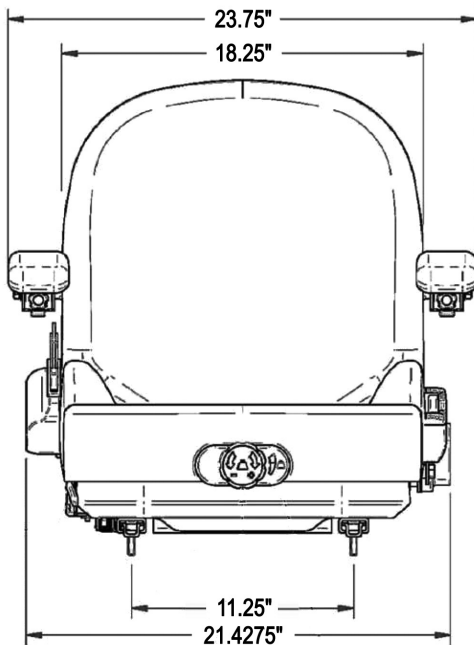
OPTIONS

- 8383 Armrest Kit
- 7911 Lap Belt
- 7925 45.5" Retractable Seat Belt
- 8443 47" Retractable Seat Belt with Switch
- 8590 51.5" Orange Retractable Seat Belt
- 8669 Operator Presence Switch (Normally Open)
- 8670 Operator Presence Switch (Normally Closed)

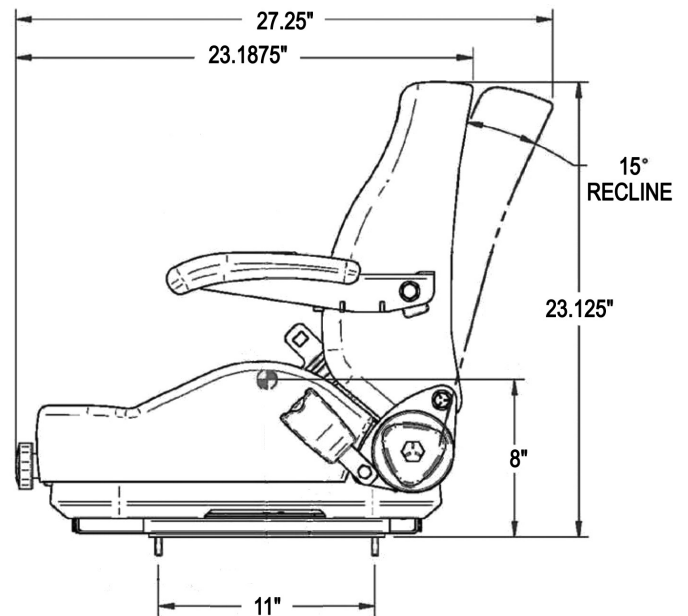
MAINTENANCE ITEMS

- 8632 Replacement Weight Adjustment Knob

FRONT VIEW



SIDE VIEW



**Drawings shown with optional armrests and seat belt.*