

KM 440

Uni Pro™ Seat Assembly



CHOOSE FROM

- Black Fabric
PN: 8014
- OR
- Brown Fabric
PN: 8283



Durable document pouch stores owner's manual and other valuables

PN: 8283



Armrests fold up and out of the way allowing easy access to the seat and individual comfort

PN: 8014

3-position lumbar supports lower back

Fold-down and adjustable backrest adds comfort and versatility

Deluxe Cordura fabric is water-resistant

Adjustable slide rails from 6.5" - 13" side-to-side for universal fit

See **REVERSE** for applications, drawings and options.

- Backrest extension for added height adjustment
- Accepts flange bolt mount operator presence switch for added safety

TRACTORSEATS.com CONSTRUCTIONSEATS.com TURFSEATS.com



800-328-1752

308 NW 2nd Street • Renville, MN 56284



APPLICATIONS



Forklifts



Lawn Mowers



Skid Steers

**Note: Will not fit if original seat was a Grammer DS44 or if original seat has an integrated swivel.*

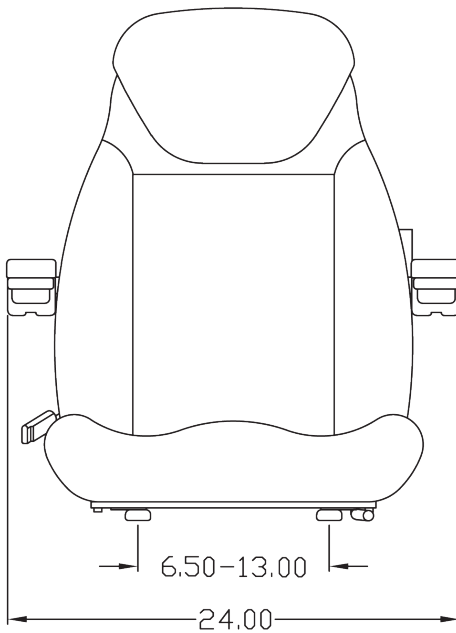
OPTIONS

- 7911* Lap Belt
- *6002 Seat Belt Bracket
(Necessary with PN: 7911)
- 8665 Operator Presence Switch (Normally Open)

MAINTENANCE ITEMS

- 8025 Replacement Armrest Kit
- 8453 Replacement Adjustable Slide Rails

FRONT VIEW



SIDE VIEW

