

KM 722

Uni Pro™ Seat & Suspension



CHOOSE FROM



Black/Gray
Matrix Fabric
PN: 8687

OR



Black Vinyl
PN: 8010



GRAMMER

PN: 8010



PN: 8687



Integrated adjustable
upper backrest

Lumbar support for
lower back support

Integrated adjustable
upper backrest

Durable rubber
molded suspension
keeps suspension
free of dirt and dust

Slide rails provide
8" fore/aft adjustment
ensuring operator
comfort

110 - 285 lb weight
adjustment

See **REVERSE**
for applications,
drawings and
options.

- **Grammer MSG85/722 Seat**
- Mechanical heavy-duty suspension
- 3.9" suspension stroke
- 3 position height adjustment
- Armrests fold up and out of the way allowing easy access to the seat (optional)

TRACTORSSEATS.com CONSTRUCTIONSEATS.com

800-328-1752

308 NW 2nd Street • Renville, MN 56284



APPLICATIONS



Excavators



Skid Steers

Fits - JCB® Vibromax Rollers, John Deere® Wheel Loader, Komatsu® Excavators and Wheel Loaders, New Holland® Dozers, Takeuchi® Excavators and Skid Steers, and Volvo® Excavators and Wheel Loaders:

JCB® Vibromax Rollers: VM46D, VM75D, VM115D, VM132D, VM106PD

John Deere® Wheel Loader: 344J

Komatsu® Excavators: PW140-7, PW160-7K, PW180-7K, PW200-7K, PW220-7K

Komatsu® Wheel Loaders: WA120-3, WA380-6, WA430-6, WA470-6, WA480-6, WA700-3, WA800-3, WA900-3

New Holland® Dozers: DC70, DC80, DC100, FD80

Takeuchi® Excavators: TB014, TB053FR, TB53FR, TB80FR, TB125, TB135, TB135R, TB138, TB138FR, TB138FRCR, TB138FRR, TB145, TB145C, TB153, TB153FR, TB153FRC, TB180, TB180FRC, TB228, TB230, TB235, TB235C, TB235RA, TB240, TB240C, TB250, TB250C, TB260, TB260C, TB280FR, TB285, TB290C

Takeuchi® Skid Steers: TL130 and other models, TL8CW, TL8W, TL10CR, TL10R, TL12CR, TL12R, TL150, TL150C, TL230, TL230C, TL230R, TL240, TL240C, TL250, TL250C, TL250CH

Volvo® Excavators: EC210, EC210 LC, EC210N LC, EC240 LC, EC360 LC, ECR58, ECR88, ECR88B

Volvo® Wheel Loaders: L20B, L25B

OPTIONS

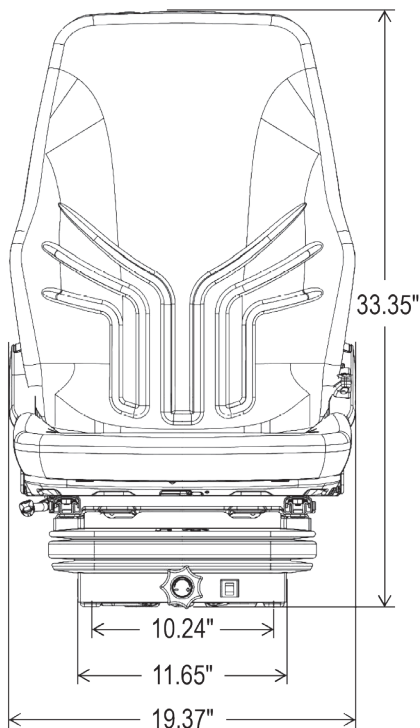
- 7966 LH Armrest
- 7967 RH Armrest
- 7996 Retractable Seat Belt Kit
- 8400 MSG85/75 Lateral Isolator Kit
*Will only work if a Grammer 700 Series seat top is being used

MAINTENANCE ITEMS

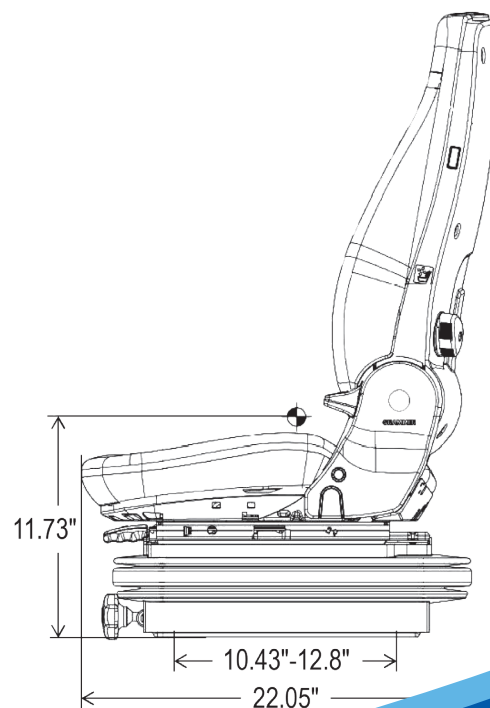
- 8688* Replacement Backrest Cushion (Black/Gray Matrix Fabric)
- 7944* Replacement Seat Cushion (Black/Gray Matrix Fabric)
- 8012* Replacement Backrest Cushion (Black Vinyl)
- 8011* Replacement Seat Cushion (Black Vinyl)
- 8448 Replacement LH or RH Backrest Adjust Handle Kit
- 8372 Replacement Seat Belt Cover Kit
- 8717 Replacement Fore/Aft Isolator Kit

*Replacement cushions are fastened with screws.

FRONT VIEW



SIDE VIEW



*Drawings shown with armrests, but armrests optional.