

Kubota L185-L2350

Uni Pro™ Bucket Seat



Black Vinyl
PN: 6888

milsco®

Vacuum formed waterproof vinyl cover adds comfort and durability

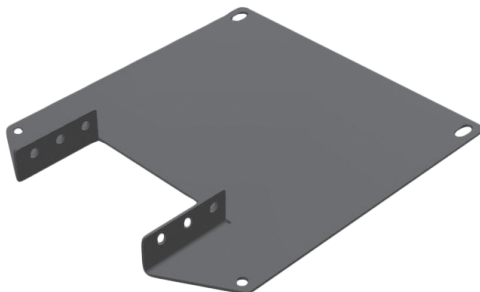


Ergonomical cushion

Drain hole prevents water build-up

Durable blow molded plastic frame is corrosion resistant

Seat Bracket



See **REVERSE** for applications, drawings and options.

PN: 6888 Includes: KM 125 Uni Pro™ Bucket Seat, Seat Bracket & Mounting Hardware

TRACTORSEATS.com **TURFSEATS.com**



800-328-1752

308 NW 2nd Street • Renville, MN 56284



APPLICATIONS



Tractors

Fits - Kubota® L185-L2350 Series Compact Tractors
(Replaces Kubota® Numbers 35110-85010, 35110-85015)

L185 Series: L185DT, L185F

L245 Series: L245DT, L245F, L245H

L295 Series: L295DT, L295F

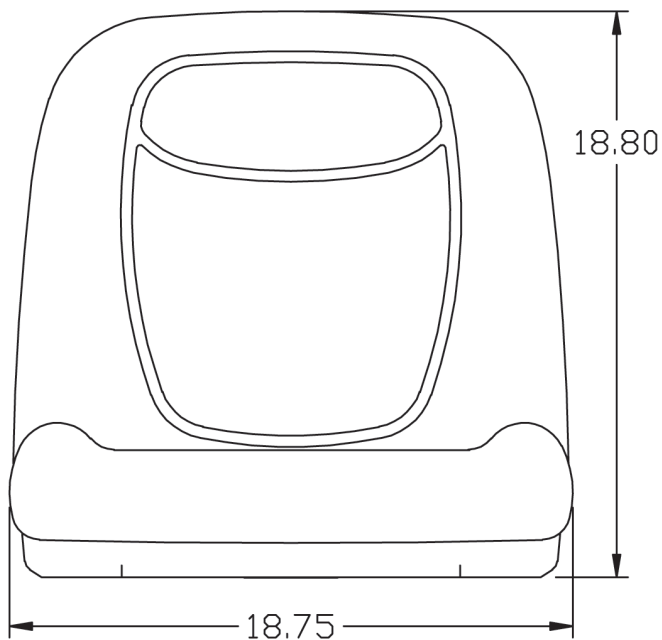
L305 Series: L305DT, L305F

L2350 Series: L2350DT, L2350F

OPTIONS

- 7947 Armrest Kit
- 7911* Lap Belt
- 7925* 45.5" Retractable Seat Belt
- *6002 Seat Belt Bracket
(Necessary with PNs: 7911 & 7925)
- 8443 47" Retractable Seat Belt with Switch
- 8590 51.5" Orange Retractable Seat Belt

FRONT VIEW



SIDE VIEW

