

Kubota L3301-L4701

Uni Pro™ Bucket Seat Kits



CHOOSE FROM

●
Black Vinyl
PN: 6832

OR

●
Black Vinyl
PN: 6833

milsco®



PN: 6833

Vacuum formed waterproof vinyl cover adds comfort and durability



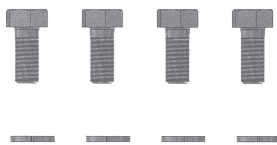
PN: 6832

Ergonomical cushion

Drain hole prevents water build-up

Durable blow molded plastic frame is corrosion resistant

Bolts



See **REVERSE** for applications, drawings and options.

PN: 6832 Includes: KM 125 Uni Pro™ Bucket Seat & Bolt Bag

PN: 6833 Includes: KM 129 Uni Pro™ Bucket Seat & Bolt Bag

Seat bolts directly to OEM plates using provided hardware.

TRACTORSSEATS.com **TURFSEATS.com**

800-328-1752

308 NW 2nd Street • Renville, MN 56284



APPLICATIONS



Tractors

Fits - Kubota® L3301-L4701 Series Compact Tractors

(Replaces Kubota® Number TC630-88722)

L3301 Series: L3301DT, L3301F, L3301H;

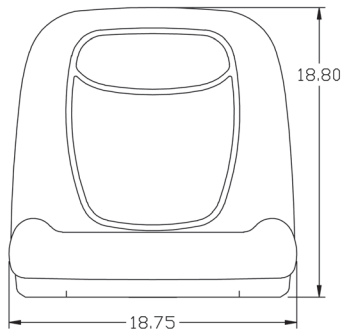
L3901 Series: L3901DT, L3901F, L3901H;

L4701 Series: L4701DT, L4701F, L4701H

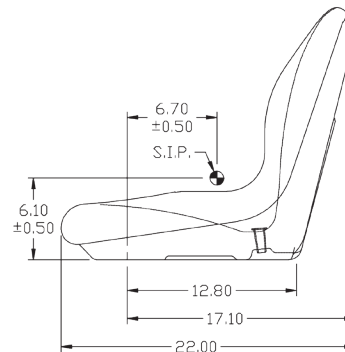
OPTIONS

- 7947 KM 125 Armrest Kit (PN: 6832)
- 7946 KM 129 Armrest Kit (PN: 6833)
- 7911* Lap Belt
- 7925* 45.5" Retractable Seat Belt
- *6002 Seat Belt Bracket
(Necessary with PNs: 7911 & 7925)
- 8443 47" Retractable Seat Belt with Switch
- 8590 51.5" Orange Retractable Seat Belt
- 6043 Slide Rail Kit
- 8666 Operator Presence Switch
(Normally Open)
- 8667 Operator Presence Switch
(Normally Closed)
- 8671 4-Prong Operator Presence Switch
(Normally Closed)

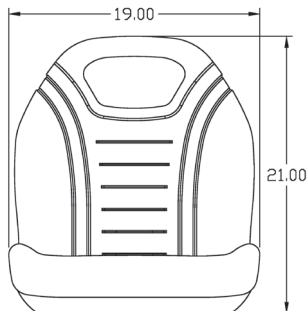
FRONT VIEW
PN: 6832



SIDE VIEW
PN: 6832



FRONT VIEW
PN: 6833



SIDE VIEW
PN: 6833

