

# **ULTRA-TOW™**

## **ADJUSTABLE TOW BAR**

**5,000 LB. CAPACITY**

### **ASSEMBLY AND OPERATING INSTRUCTIONS**



**Item# 22565**



#### **WARNING:**

Read carefully and understand all **ASSEMBLY AND OPERATION INSTRUCTIONS** before operating. Failure to follow the safety rules and other basic safety precautions may result in serious personal injury.

Thank you very much for choosing a Ultra-Tow Product! For future reference, please complete the owner's record below:

Model: \_\_\_\_\_ Purchase Date: \_\_\_\_\_

Save the receipt, warranty and these instructions. It is important that you read the entire manual to become familiar with this product before you begin using it.


This tow bar is designed for certain applications only. The distributor cannot be responsible for issues arising from modification. We strongly recommend this tow bar is not modified and/or used for any application other than that for which it was designed. If you have any questions relative to a particular application, DO NOT use the tow bar until you have first contacted distributor to determine if it can or should be performed on the product.


For technical questions, please call **1-800-222-5381**.

## **TECHNICAL SPECIFICATIONS**

Description	Specifications
Maximum Towing Capacity	5,000 lbs.
Coupler Ball Capacity	2"
Mounting Width Capacity	26" to 41"

## **GENERAL SAFETY REGULATIONS**

 **WARNING:** Read and understand all instructions. Failure to follow all instructions listed below may result in serious bodily injury or death, and/or property damage.

 **WARNING:** The warnings, cautions, and instructions discussed in this instruction manual cannot cover all possible conditions or situations that could occur. It must be understood by the operator that common sense and caution are factors that cannot be built into this product, but must be supplied by the operator.

## **INSTALLATION NOTES**

1 This tow bar is to be installed by a professional installer / fabricator experienced in selecting vehicle attachment areas with adequate strength.

2 Park vehicles on level ground for installation.

3 The coupler must be level within 5° when attachment is complete as shown:

**MUST BE LEVEL WITHIN 5°**

4 Bumper attachments should be reinforced as shown below.

5 Attachments to the towed vehicle should be bolted **not welded**.

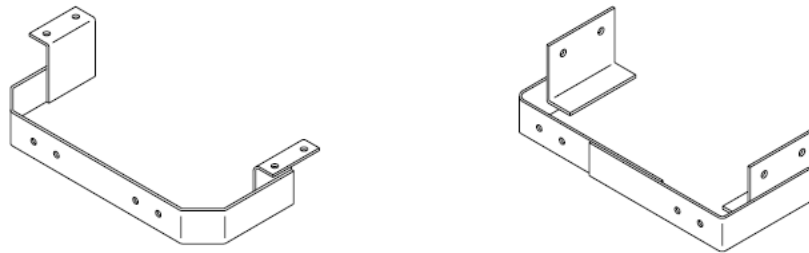
6 Keep mounting surface of brackets as close to being flush with the front of the bumper as possible to allow free vertical travel.

7 Attach tow bar to properly mounted brackets with pins and secure with attached wire.

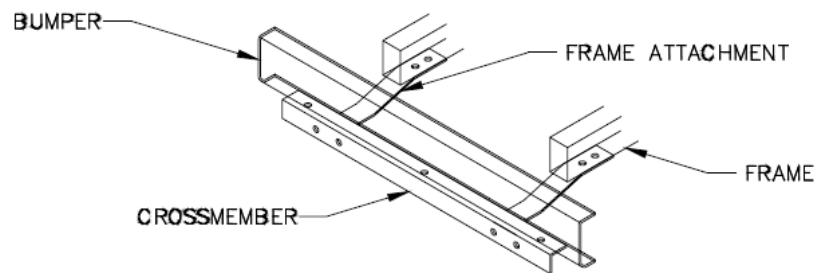
8 Adjust coupler for proper fit to the ball; See COUPLER ADJUSTMENT in the Chapter of INSTALLATION.

## TOWED VEHICLE ATTACHMENT

A structure must be fabricated to allow the tow bar to be attached to the frame of the towed vehicle. Some typical frame attachment structures (not included) are shown below.

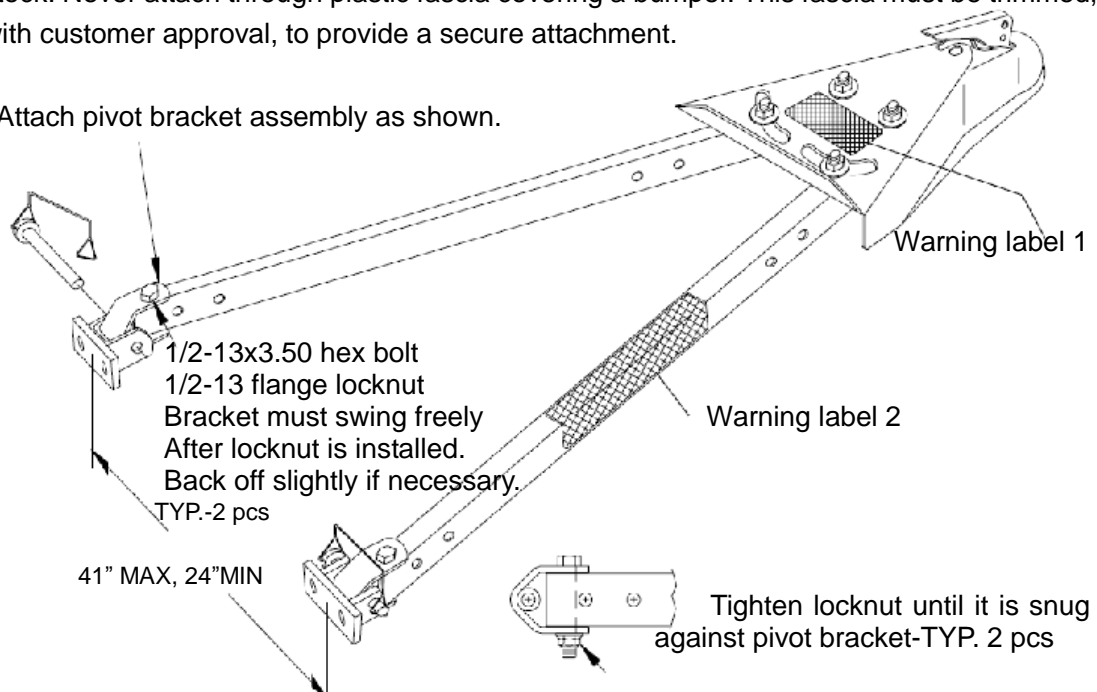


If the bumper is used for support, it must be reinforced with frame attachments (not included). A typical way of reinforcing a bumper (not included) is shown below.



These frame attachments should be attached within 2" of where the tow bar brackets are to be attached. These frame attachments should be made from at least 1/2"x2" flat bar stock. Never attach through plastic fascia covering a bumper. This fascia must be trimmed, with customer approval, to provide a secure attachment.

Attach pivot bracket assembly as shown.



Warning label 1:

**READ WARNINGS CAREFULLY.**

1. Use only a 2" ball rated for at least 5000 pounds.
2. Properly connect safety chains from tow bar to towing vehicle and towed vehicle.
3. Read and follow label on side of tow bar, coupler and instruction before towing.

Warning label 2:

**WARNING! FAILURE TO FOLLOW THESE INSTRUCTIONS MAY RESULT IN A HAZARDOUS TOWING CONDITION.**

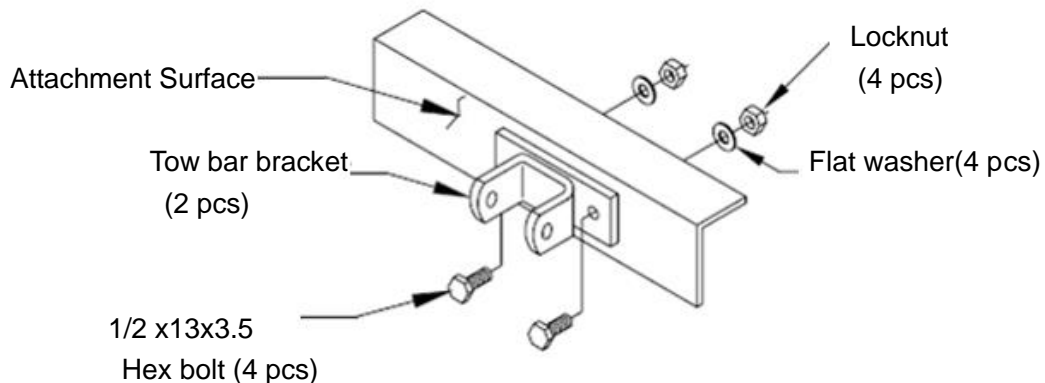
**DO NOT REMOVE THIS LABEL.**

1. Total weight of towed vehicle must not exceed 5,000 pounds.
2. Towing vehicle must weigh more than towed vehicle.
3. Steering wheel of towed vehicle must be free to turn.
4. Do not allow passengers to ride in towed vehicle.
5. Do not exceed 45 miles per hour.
6. Do not back up with vehicle in tow.
7. Remove tow bar when not towing.
8. Install per instructions provided.

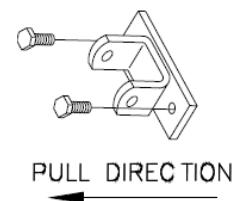
**INSTALLATION**

**TOW BAR**

1. Center tow bar on attachment surface, spreading side arms to at least 24", and mark tow bar bracket centerlines.
2. Using tow bar bracket as a template, drill two 1/2" holes into attachment surface, each side.
3. Attach tow bar brackets to attachment surface using the 1/2 x1-3/4 GR5 bolts supplied with the tow bar, note: if longer bolts are needed, use 1/2-12 GR5 bolts.
4. Fasten the tow bar brackets with flat washers and locknuts as shown below.
5. Tighten these 1/2" fasteners to 75 LB.-FT.



**Warning:** mounting bolts must point in fore-aft direction. Do not mount bracket bolts in up-down or left-right direction.



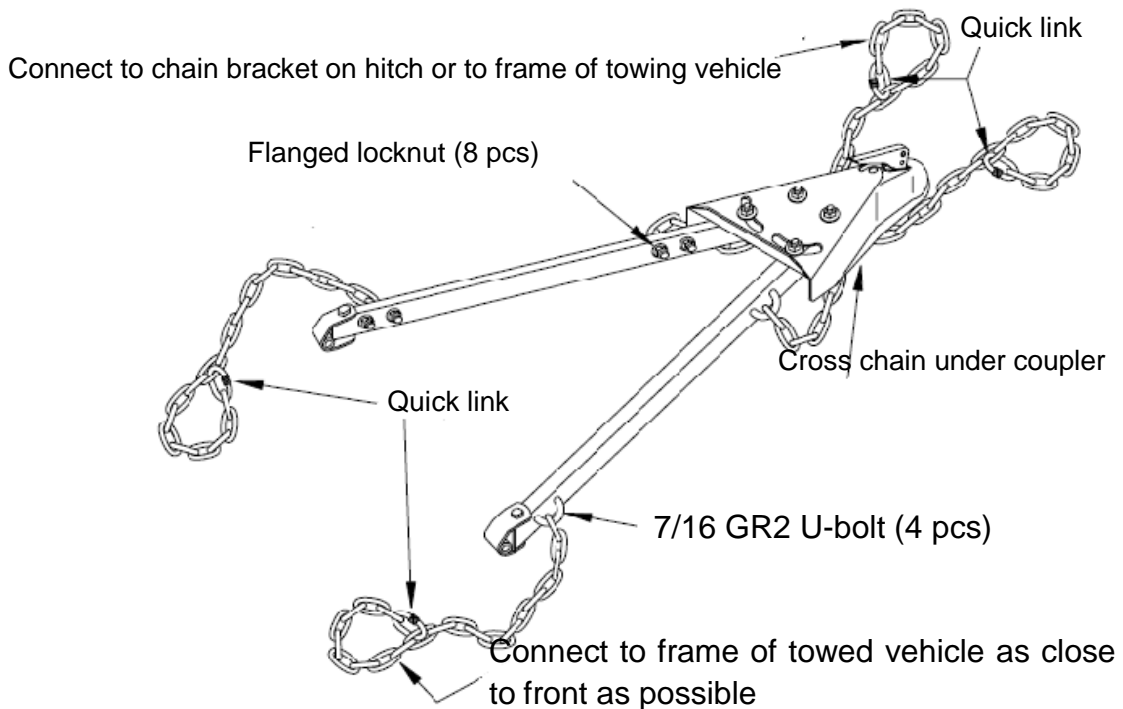
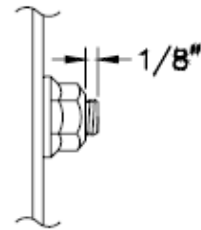
## HOOK UP

1. Attach tow bar to tow bar brackets with two wire lock pins as part#10.
2. Attach tow bar coupler to 2" ball of towing vehicle.
3. Center coupler on tow bar side arms so that tow bar is symmetrical about the centerline of the vehicles.
4. Tighten the 3/8" nuts which attach the tow bar side arms to the coupler to 31 LB-FT.
5. Install safety chains as described in the next section.
6. Connect an adequate wiring harness so that stop lights, turn signals and taillights operate on towed vehicle in conjunction with towing vehicle's lights.
7. Read and follow labels located on tow bar as in below Chapter of TOWED VEHICLE ATTACHMENT.

## SAFETY CHAINS

### USE SAFETY CHAIN KIT (not included).

1. Connect safety chains to both vehicles and the tow bar itself as shown below.
2. Attach chains to tow bar with 7/16 GR2 U-bolts and flanged locknuts as shown below. Tighten each flanged locknut until 1/8" of U-bolt threads extend past locknut.
3. The chains at each vehicle will be looped to themselves using quick links as shown below. The nuts on the quick links must have full thread engagement.
4. Cross two chains under coupler and connect to chain bracket on hitch or to frame of towing vehicle, allowing only enough slack to permit turning.
5. Connect the other two chains to the frame of the towed vehicle as close to the front of the vehicle as possible. Allow only enough slack to permit the up and down pivoting of tow bar.

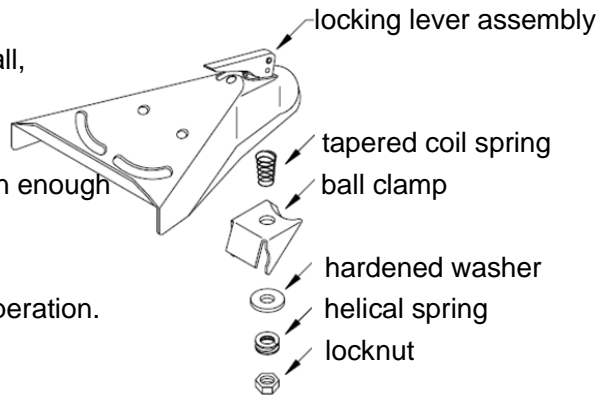


### Special instructions for using a pickup truck or van as the towing vehicle

- Some step bumpers restrict turning, use extra caution, turning too sharply can damage the tow bar, the hitch ball and the bumper.

### COUPLER ADJUSTMENT

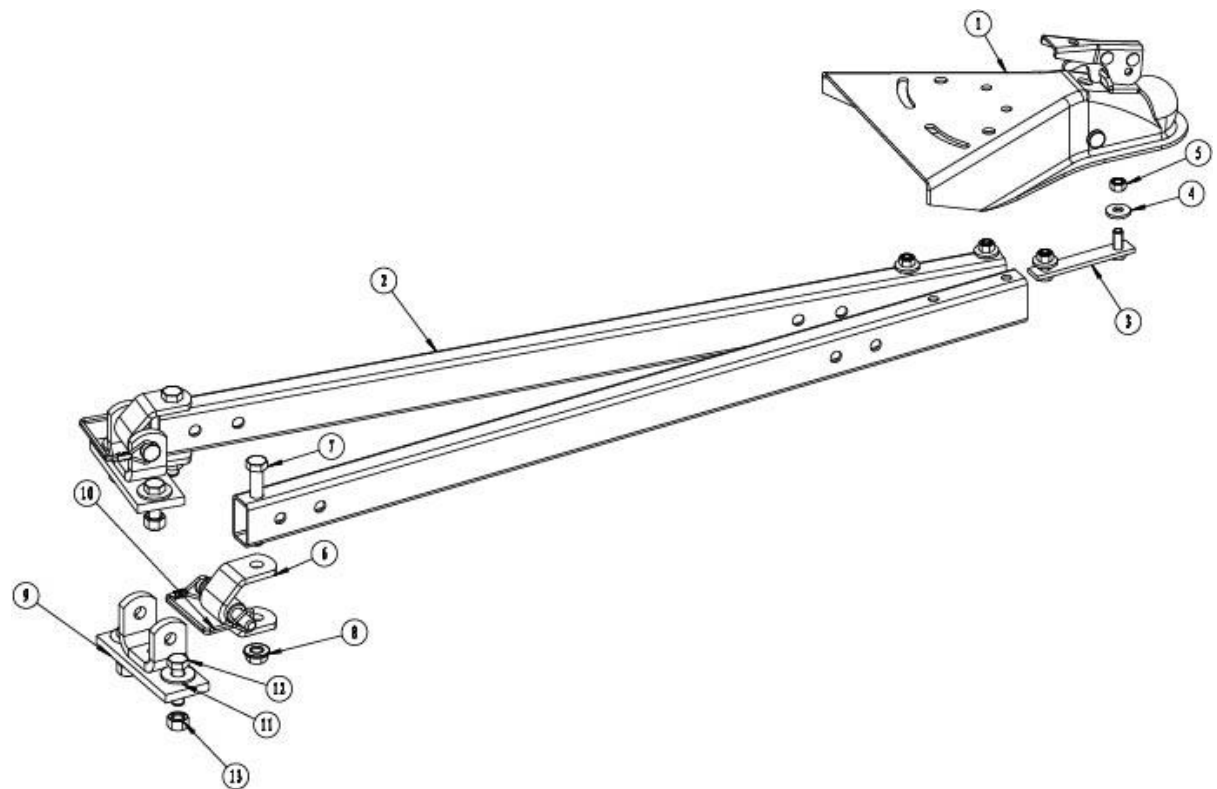
1. With coupler locked onto a 2" dia. Ball, tighten the locknut until all parts are clamped solid.  
Note: Do not overtighten. Just tighten enough to fully compress helical spring.
2. Back locknut off 1/2 to 3/4 turn.
3. Check for proper couple/uncouple operation.



### USAGE NOTES

- Never exceed the lowest rating of any part of your towing system.
- Use this tow bar to tow only vehicles in good condition do not tow vehicles with damaged steering or suspension systems.
- Inflate tires of towed vehicle to the maximum pressure recommended by tire manufacturer.
- Towing mirrors on both sides of towing vehicle add to safety by increasing rear visibility and are required by state laws.
- Allow more time for accelerating stopping and maneuvering slow down well in advance of sharp curves, obstacles, or lane changes, and before starting down hills.
- If vehicle combination sways or seems unstable, gradually slow down, pull off the road to a safe location, and inspect all connections. Instability increases with speed, and you may have to tow at a lower speed. Discontinue towing if instability persists, a combination that instable and easy to control at low speed may be unstable at a higher speed. Stability decreases when going downhill, Start downhill slowly and maintain a low speed.
- Do not make sharp turns from a complete stop.
- Reduce speeds on rough roads.

## PARTS DRAWING & DIAGRAM



Part#	Description	QTY
1	Coupler(For Use W/2" Hitch Ball)	1
2	Side arm	2
3	Bolt assembly	2
4	Washer-Conical Toothed 3/8	4
5	Locknut-Hex 3/8-16	4
6	Pivot bracket assembly	2
7	Bolt-Hex 1/2 -13x3.50	2
8	Locknut- Flange 1/2-13	2
9	Tow bar bracket	2
10	Wire lock pin	2
11	Flat Washer	4
12	Hex bolt 1/2 -13x3.50	4
13	Locknut 1/2-13	4

## **WARRANTY**

One-year limited warranty. For warranty questions, call 1-800-222-5381.

***ULTRA-TOW***<sup>™</sup>

Distributed by  
Northern Tool + Equipment Co., Inc.  
Burnsville, MN 55306  
NorthernTool.com  
Made in China