



49IN. ALUMINUM CARGO CARRIER

OWNER'S MANUAL



WARNING:

Read carefully and understand all **ASSEMBLY AND OPERATION INSTRUCTIONS** before operating. Failure to follow the safety rules and other basic safety precautions may result in serious personal injury.

Item# 28679

Thank you very much for choosing a Ultra-Tow product! For future reference, please complete the owner's record below:

Model: _____ Purchase Date: _____

Save the receipt, warranty and these instructions. It is important that you read the entire manual to become familiar with this product before you begin using it.

This cargo carrier is designed for certain applications only. The distributor cannot be responsible for issues arising from modification. We strongly recommend this cargo carrier not be modified and/or used for any application other than that for which it was designed. If you have any questions relative to a particular application, DO NOT use the cargo carrier until you have first contacted the distributor to determine if it can or should be performed on the product.

For technical questions please call **1-800-222-5381**.

INTENDED USE

This cargo carrier fits in a 2in. receiver and can carry up to a 500-lb. load. It is ideal for use as a mobility carrier, a transporter for lawn equipment or to provide additional cargo space.

TECHNICAL SPECIFICATIONS

Item	Description
Capacity	500 lbs.
Receiver size	Fits standard 2in. receivers
Overall Dimensions	49in.L x 22 1/2in.W x 8in.H
Inside Height	7in.

NOTE: Any load over 320 lbs. (145kg) requires a Class III hitch on towing vehicle.

Class II Hitch capacity = 350 lbs. (159kg) maximum tongue weight; to determine capacity, add Carrier weight of about 30 lbs. (14kg)

Class III Hitch capacity = 500 lbs. (227kg) maximum tongue weight

GENERAL SAFETY RULES



WARNING: Read and understand all instructions. Failure to follow all instructions listed below may result in serious injury.



CAUTION: Do not allow persons to operate or assemble this aluminum cargo carrier until they have read this manual and have developed a thorough understanding of how the hand truck works.



WARNING: The warnings, cautions, and instructions discussed in this instruction manual cannot cover all possible conditions or situations that could occur. It must be understood by the operator that common sense and caution are factors which cannot be built into this product, but must be supplied by the operator.

SAVE THESE INSTRUCTIONS

IMPORTANT SAFETY CONSIDERATIONS

CARGO CARRIER USE AND CARE

- **Do not modify the cargo carrier in any way.** Unauthorized modification may impair the function and/or safety and could affect the life of the equipment. There are specific applications for which the cargo carrier was designed.
- **Always check of damaged or worn out parts before using the cargo carrier.** Broken parts will affect the cargo carrier operation. Replace or repair damaged or worn parts immediately.
- **Store idle cargo carrier.** When the cargo carrier is not in use, store it in a secure place out of the reach of children. Inspect it for good working condition prior to storage and before re-use.
- **Do not exceed the limit weight of 500 lbs. (227kg)**

Tools Needed for Assembly



Open Wrench (1 pc.)
Size=16mm



Open Wrench (1 pc.)
Size=13mm



Open Wrench (2 pc.)
Size=7mm



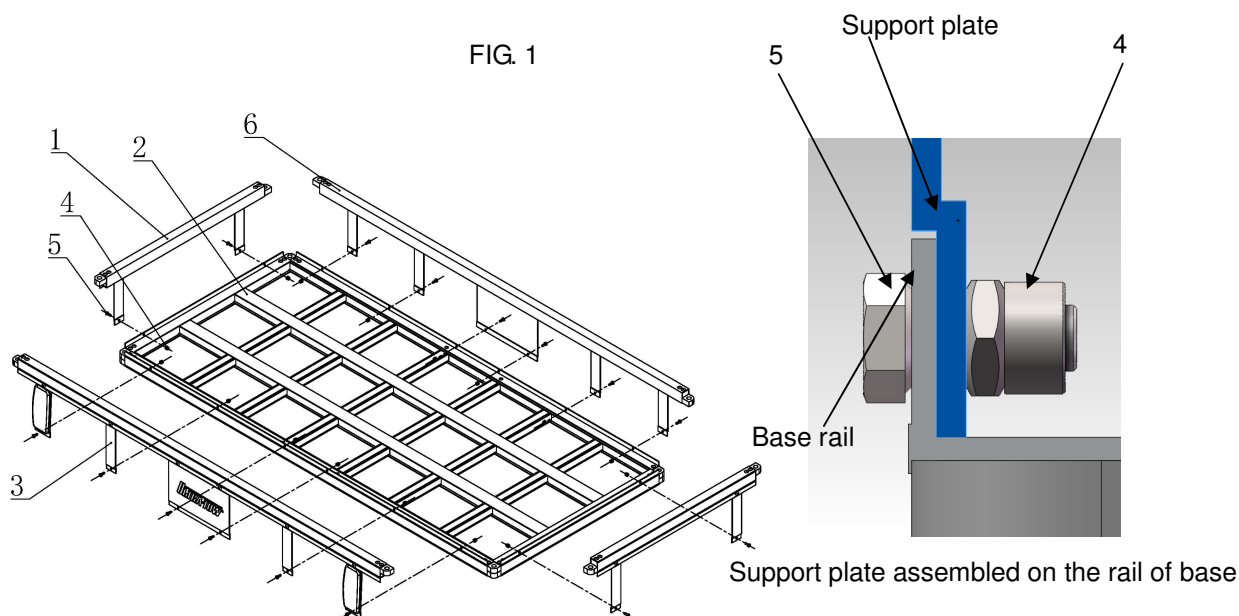
Hex Key (1 pc.)
Size=6mm



Hex Key(1 pc.)
Size=5mm

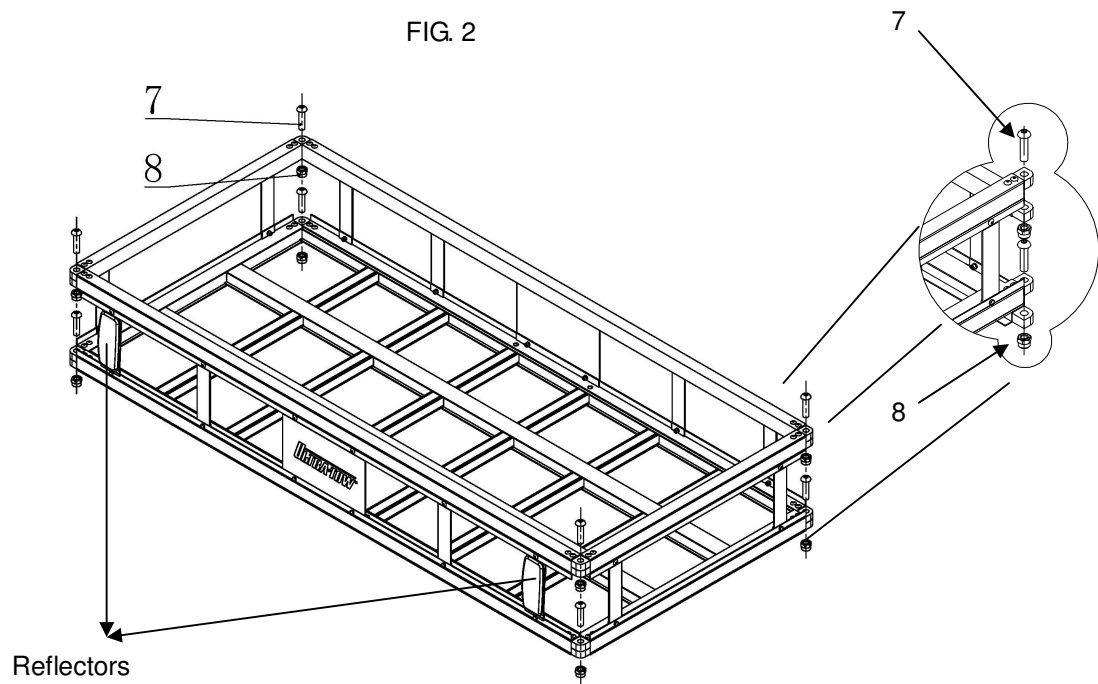
ASSEMBLY

Step 1 Lay the base (2) flat, install the front (6), back (3), side (1) frames on via M4 hex bolt (5) and M4 locknut (4). **P.S: All support plates on frames should be put inside rails of the base, then align all the holes, tighten with bolt and nuts. See FIG. 1.**



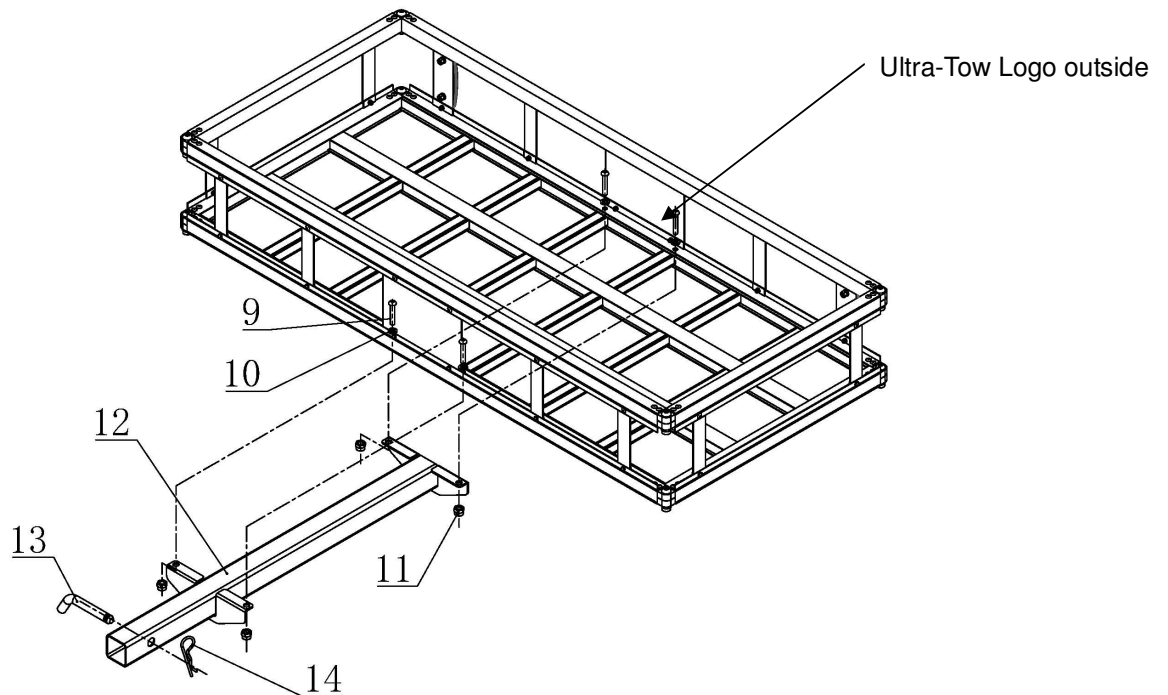
Step 2 Align holes on red plastic hinges on the front, back and both side frames, insert M10 cup-head hex bolts (7) in, screw M10 locknuts (8) on for positioning, also install M10 bolts and locknuts on the 4 corners of the base, and tighten all. **See FIG. 2**

FIG. 2



Step 3 Put above assembled carrier on 2" support tube (12), and tighten with M8 cup-head hex bolt (9), M8 flat washer (10), and M8 locknut (11). **See FIG. 3.**

FIG. 3



OPERATION

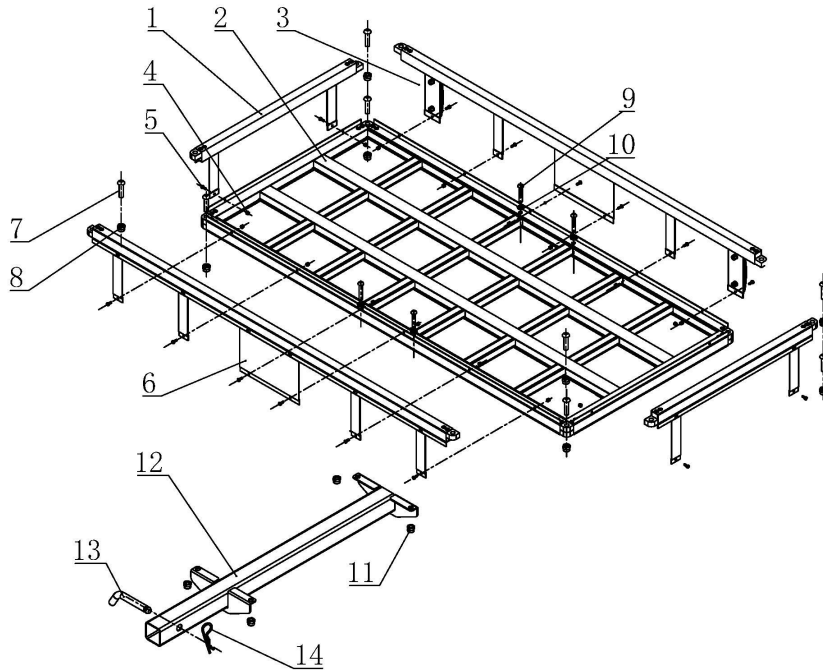
IMPORTANT: 2 adjustments are recommended for attaching the cargo carrier to the towing vehicle.

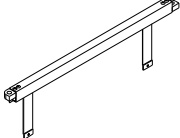
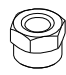
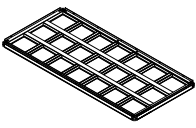

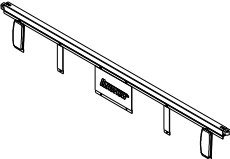
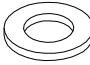


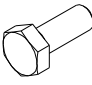
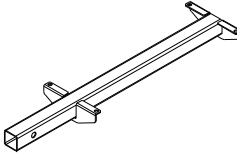
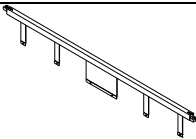
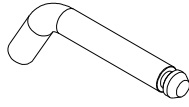

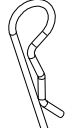
Lift the Cargo Carrier and place the support tube into the towing vehicle's 2in. hitch receiver. Line up the holes in the support tube with the hole in your receiver hitch. Then slide Hitch Pin through the holes and insert clip to secure the Hitch Pin.

MAINTENANCE

- **Maintain your cargo carrier.** It is recommended that the general condition of any cargo carrier be examined before it is used. Keep your cargo carrier in good repair by adopting a program of conscientious repair and maintenance. Have necessary repairs made by qualified service personnel.

DIAGRAM AND PARTS LIST



Part#		Description	Q'ty	Part#		Description	Q'ty
1		Side Panels	2	8		M10 Locknut	8
2		Base	1	9		M8 Cup-head Hex Bolt	4
3		Back Panel	1	10		M8 Flat Washer	4
4		M4 Locknut	16	11		M8 Locknut	4
5		M4 Hex Bolt	16	12		2" Support Tube	1
6		Front Panel	1	13		Hitch pin	1
7		M10 Cup-head Hex Bolt	8	14		Clip	1

For replacement parts and technical questions, please call **1-800-222-5381**.

WARRANTY

One-year limited warranty

ULTRA-TOW[™]

Distributed by

Northern Tool + Equipment Co., Inc.

Burnsville, Minnesota 55306

NorthernTool.com

Made in China