

ULTRA-TOW™

SWIVEL WELD-ON JACK

OWNER'S MANUAL



Top-Wind

Side-Wind



WARNING:

Read carefully and understand all **ASSEMBLY AND OPERATION INSTRUCTIONS** before operating. Failure to follow the safety rules and other basic safety precautions may result in serious personal injury.

Item# 44069, 44070

Thank you very much for choosing an Ultra-Tow product! For future reference, please complete the owner's record below:

Model: _____ Purchase Date: _____

Save the receipt, warranty and these instructions. It is important that you read the entire manual to become familiar with this product before you begin using it.

This jack is designed for certain applications only. The distributor cannot be responsible for issues arising from modification. We strongly recommend this jack not be modified and/or used for any application other than that for which it was designed. If you have any questions relative to a particular application, DO NOT use the jack until you have first contacted the distributor to determine if it can or should be performed on the product.

For technical questions please call **1-800-222-5381**.

INTENDED USE

This reliable, easy-to-use 2¼ " dia. tube jack with a deep-seated snap ring provides side load support. The large 1/2" pull pin activates the swivel mechanism, allowing the jack to swing up and out of the way when not in use. The topwind model (Item# 44069) has a red claw knob on a clear zinc solid bar handle that folds away when not in use. The sidewind model (Item# 44070) has a large, comfortable grooved handle that makes cranking almost effortless. A grease zerk is built in for easy greasing of the jack. A 3¾ " x 7½ " sand foot is welded on for stability. Both models feature a durable, corrosion-resistant exterior-grade black powder-coat finish on the outside tube with zinc finish inner tube and foot.

Item#	Type	Clearance	Range	Lift Capacity
44069	Top-Wind	4in.	11.25in.-21.25in.	2000 lbs.
44070	Side-Wind	6in.	11.25in.-21.25in.	2000 lbs.

GENERAL SAFETY RULES



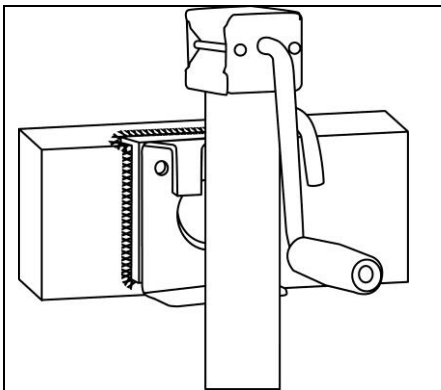
WARNING

- Read and understand all instructions. Failure to follow all instructions listed below may result in serious injury.
- Owner must ensure that the jack is installed according to these instructions
- Never position any part of body under this product or supported load.
- Fully retract/rotate jack before towing.
- This jack is not intended for use as a transport device. Minimize movement of the implement while the jack is under load.
- Do not allow children to play on or around this jack while supporting a load.
- Secure the load, vehicle and trailer from rolling when operating jack.
- Never attempt to lift or support loads in excess of the rated strength of this trailer jack.
- This jack is designed for vertical loading. Excessive side forces may cause failure and or injury.
- Before moving trailer crank jack to its lowest position.
- These jacks are not designed for round tongues.

- Do not modify the jack in any way. Unauthorized modification may impair the function and/or safety and could affect the life of the equipment. There are specific applications for which the jack was designed.
- The swivel is very strong. However abuse, corrosion or damage may cause swivel to break. Regularly inspect the swivel for damage and discontinue use if the swivel is damaged.
- Store idle jack. When jack is not in use, store it in a secure place out of the reach of children. Inspect it for good working condition prior to storage and before re-use.

SAVE THESE INSTRUCTIONS

ASSEMBLY



1. When mounting trailer jack it is best to hook up to the tow vehicle to make sure trailer is secure.
2. Mount jack based on drawing shown. All welding must be performed by a certified welder.
3. Place jack in the proper location for trailer application..
4. Weld on entire length, width and height of bracket with 3/16" fillet weld.
5. After jack is mounted to trailer, attach handle assembly to jack with bolt fastener provided.

OPERATION

1. To activate the swivel function on this jack pull the pull pin and swivel jack into desired position.
2. Only swivel jack when trailer is securely attached to a tow vehicle.
3. Make sure pull pin is properly engaged after swiveling into desired position.

MAINTENANCE

- **Maintain your Jack.** It is recommended that the general condition of any jack be examined before it is used. Keep your jack in good repair by adopting a program of conscientious repair and maintenance. If jack is damaged, discontinue use of the jack.
- This jack is pre-greased for easy operation. This jack however includes a grease zerk for easy lubrication as needed.

WARRANTY

3-year limited warranty

ULTRA-TOW[™]

Distributed by
Northern Tool + Equipment Co., Inc.
Burnsville, Minnesota 55306
NorthernTool.com
Made in China