

# Massey Ferguson Bostrom

## Forward Angled Seat & Suspension Kits



### CHOOSE FROM

**KM 1060 Uni Pro™**  
Seat & Air Suspension  
**PN: 6737**  
Black/Gray Matrix Fabric

OR

**KM 1057 Uni Pro™**  
Seat & Air Suspension  
**PN: 6981**  
Black/Gray Matrix Fabric

OR

**1004 Uni Pro™ Seat & Mech Suspension**  
**PN: 6634 or 6633**  
Black Vinyl or Fabric

OR

**1005 Uni Pro™ Seat & Air/Mech Suspension**  
**PN: 6433 or 6434**  
Black Fabric (Air or Mech)

See **PAGES 2-4** for applications, drawings and additional part information.

**Adjustable mechanical lumbar supports** your lower back with multiple settings and provides extra back support (lever on backrest)



**Adjustable fold-up armrests** allow easy access to the seat and individual comfort

**Tapered back support and adjustable backrest** adds comfort and versatility

**When seated, seat depth adjustment (right) and cushion angle adjustment (left)** for individual fit

**PN: 6737**

**Plush, spacious cushions** for operator comfort

**Air adjustment switch**

**Adjustable slide rails** with 4" of travel

**Durable suspension cover** keeps suspension components free of dirt and dust

**Fore/aft isolator** absorbs jarring for extra comfort (Isolator can also be disabled.)

- **Grammer MSG95/741 Seat**
- Air suspension for smoother, more comfortable ride
- Replaces original suspension seat
- Self-contained 12-volt compressor is wired to the tractor's electrical system to provide power to the suspension compressor
- Adjustable backrest extension for extra height on back
- Shock absorber adjusts for different settings
- 8.25" fore/aft suspension travel
- 3" height adjustment
- Operator presence switch

**PN: 6737 Includes:** KM 1060 Uni Pro™ Seat & Suspension, Pedestal, Install Hardware & Installation Instructions

Swivel is Optional (PN: 5007 for PN: 6737)

**TRACTORSSEATS.com**

**800-328-1752**

308 NW 2nd Street • Renville, MN 56284



## APPLICATIONS



Tractors

**Fits - Massey Ferguson® Tractors with an Original Bostrom Forward Angled Suspension: 1105, 1135, 1155, 1190**

- Complete seat & suspension replacement kit
- **Assembly is required (seat & suspension do not come attached)**
- **Grammer MSG95/731 Seat**
- Air suspension for smoother, comfortable ride
- Self-contained 12-volt compressor is wired to the tractor's electrical system to provide power to the suspension compressor
- Adjustable backrest extension for extra height
- Fold-up adjustable armrests
- Shock absorber adjusts for different settings
- Suspension stroke up to 7"
- 3" height adjustment
- Durable suspension cover
- Easy access side controls
- 110 - 285 lb weight adjustment with indicator

See **PAGE 4** for drawings.

**PN: 6981 Includes:** KM 1057 Uni Pro™ Seat & Suspension, Pedestal, Install Hardware & Installation Instructions

Swivel is Optional (PN: 5007 for PN: 6981)

**PNs: 6634 & 6633 Include:** KM 1004 Uni Pro™ Seat & Mechanical Suspension, Pedestal, Swivel, Install Hardware & Installation Instructions

When seated, seat depth adjustment (right) and cushion angle adjustment (left) for individual fit



- Mechanical suspension with 8.25" of travel
- 4" suspension travel
- 1.375" SIP and 2.75" stroke reducer
- 286 lb weight adjustment
- Manual height adjustment
- Slide rails

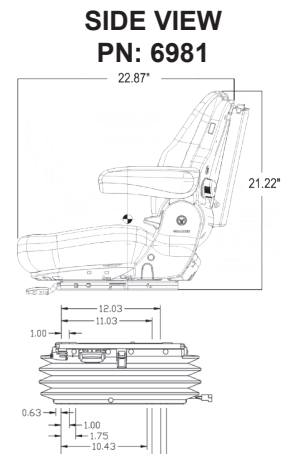
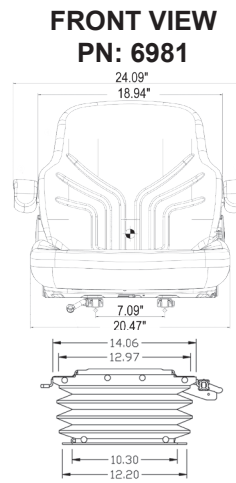
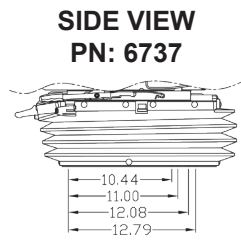
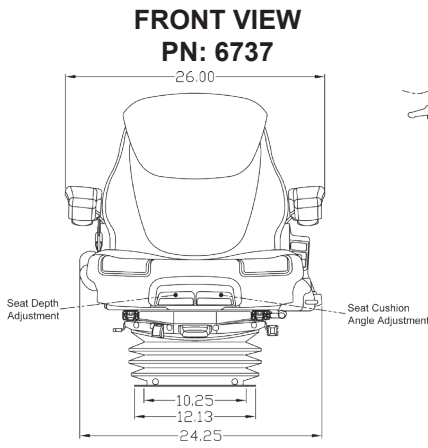
**PN: 6433 Includes:** KM 1005 Uni Pro™ Seat & Air Suspension, Pedestal, Swivel, Install Hardware & Installation Instructions

**PN: 6434 Includes:** KM 1005 Uni Pro™ Seat & Mechanical Suspension, Pedestal, Swivel, Install Hardware & Installation Instructions

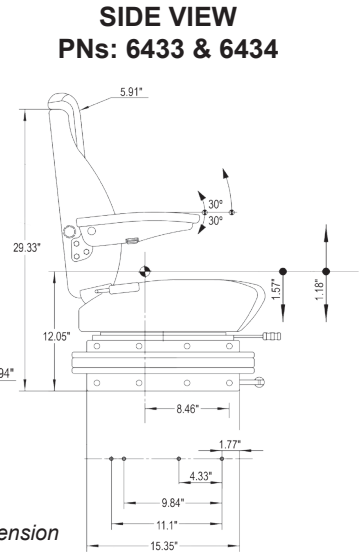
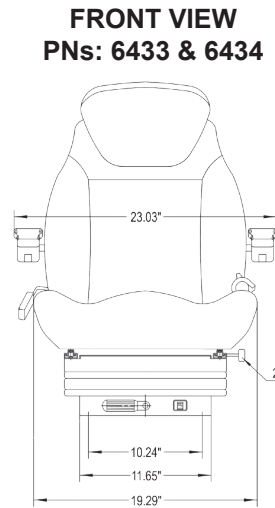
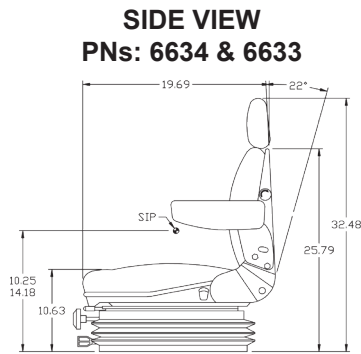
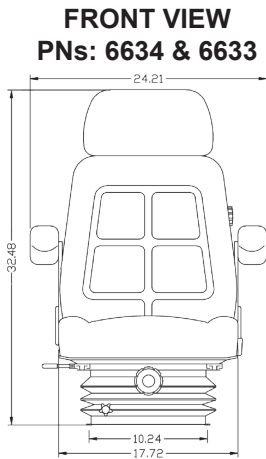
See **PAGE 4**  
for drawings.



- **Assembly is required (seat & suspension do not come attached)**
- Choose between 12-Volt air, or mechanical suspension
- Adjustable backrest folds forward and reclines
- Adjustable backrest extension for extra height
- 3-position adjustable seat height within 2.36"
- 110 - 287 lb weight adjustment
- Slide rails provide fore/aft adjustment
- Durable rubber suspension cover



*\*Drawings show seat top without backrest extension and seat depth/tilt adjustment handles.*



*\*Drawings show mechanical suspension only and do not show swivel.*