

1004 Uni Pro Seat
& Suspension
PN: 7879

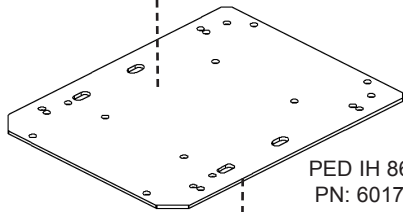


Note!

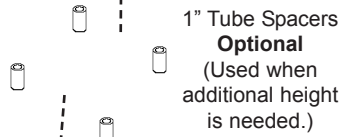
Weight needs to be applied to the suspension to turn the mechanical knobs.

Installation Instructions to Replace an IH 86/88 Original Mechanical Suspension with a 1004 Uni Pro Seat and Suspension

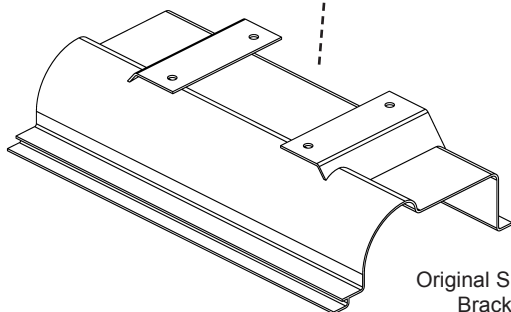
1. Remove the original seat and suspension from the tractor.
2. Fasten the PED IH 86 to the seat support compartment with four 5/16" x 1" bolts and flange nuts. For additional height, use four 5/16" x 2" bolts and 1" long tube spacers.
3. Bolt the seat and suspension assembly to the pedestal with four 5/16" x 1" bolts, 7/16" spacer nuts and flange nuts.



PED IH 86
PN: 6017



1" Tube Spacers
Optional
(Used when additional height is needed.)



Original Support
Bracket



308 NW 2nd Street
PO Box 409
Renville, MN 56284
1.800.328.1752

**BOLT BAG - IH 86
ORIGINAL MECHANICAL
1004/1050
& INSTRUCTION SHEET**

K & M Part Number: 47040

Qty.	Description	Hardware Part #
4	SPACER TUBE PED-SUSPENSION 1"	11601
8	5/16-18 X 1 HEX SCREW GR 5 - ZINC	80038
4	5/16-18 X 2 HEX SCREW GR 5 - ZINC	80042
8	5/16-18 SERRATED FLANGE NUT	80150
4	7/16-14 FIN HEX NUT - ZINC	80167
2	TERMINAL - QUICK CONNECT FEMALE	86201