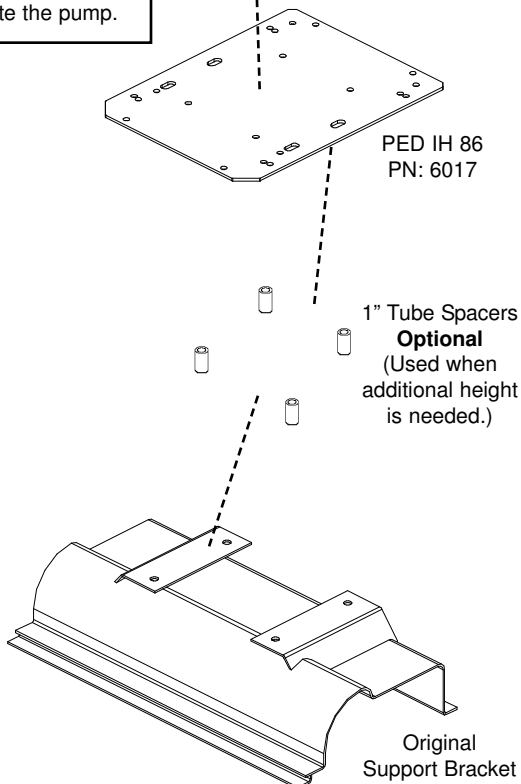


1055 Uni Pro Seat
& Suspension
PN: 7922



Note!

Weight needs to be applied to the suspension to activate the pump.



Installation Instructions to Replace an Original Mechanical Suspension with a 1055 Uni Pro Seat and Suspension in an IH 86/88 Series Tractor

1. Remove the original seat and suspension from the tractor.
2. Fasten the PED IH 86 to the support bracket with four 5/16" x 1" bolts and flange nuts. For additional height, use four 5/16" x 2" bolts, 1" long tube spacers and flange nuts.
3. Bolt the seat and suspension assembly to the pedestal with four 5/16" x 1" bolts, 7/16" spacer nut and flange nuts.
4. Locate a power source and connect the suspension to power and ground.