

JD 5000 Series

Utility Suspension Assemblies



CHOOSE FROM



Standard
Suspension
PN: 6798

OR



Heavy-Duty
Suspension
PN: 6774



Contoured foam
cushions for
added comfort

PN: 6774

Heavy-duty
adjustable
mechanical
suspension

Slide rail adjustment
ensuring operator
comfort

Vacuum formed
waterproof vinyl
adds comfort and
durability

Trapezoidal
backrest

Adjustable
angle base

Slide rails provide 6"
fore/aft adjustment
in .5" increments
ensuring operator
comfort

PN: 6798

ADAPTER PLATE INCLUDED

STANDARD SUSPENSION (PN: 6798) ONLY

- Mechanical suspension with 4" suspension stroke
- Hydraulic shock absorber
- 18.5" seat width
- 100 - 265 lb weight adjustment
- Seat belt fixation points

BOTH SUSPENSIONS (PNS: 6798 AND 6774)

- Armrests fold up and out of the way allowing easy access to the seat (optional)

See **REVERSE**
for applications,
drawings
and options.

TRACTORSSEATS.com



800-328-1752

308 NW 2nd Street • Renville, MN 56284



APPLICATIONS



Tractors

Fits - John Deere® 5000 Series Utility Tractors

5103, 5200, 5203, 5210, 5220, 5300, 5303, 5310,
5320, 5400, 5403, 5410, 5420, 5510, 5520

OPTIONS/MAINTENANCE (for PN: 6798)

- 7469 Armrest Kit
- 7480* Replacement Seat Cushion (Yellow Vinyl)

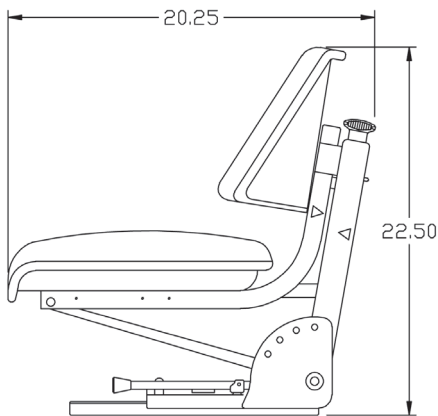
OPTIONS/MAINTENANCE (for PN: 6774)

- 8000 Armrest Kit
- 8550* Replacement Backrest Cushion (Yellow Vinyl)
- 8239* Replacement Seat Cushion (Yellow Vinyl)
- 8673 Replacement Operator Presence Switch (Pad Style)
- 8596 Replacement Weight Adjust Knob Kit

*Replacement cushions only fit the K&M seat assembly.

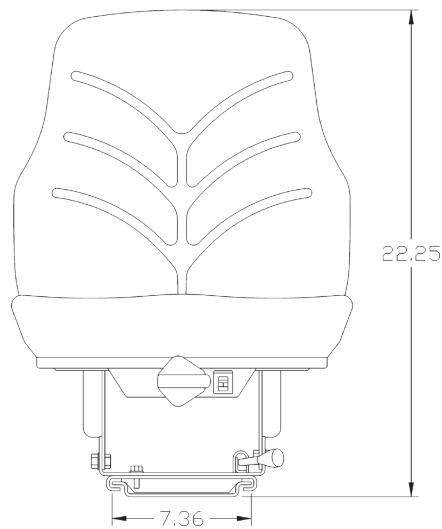
PN: 6798

SIDE VIEW



PN: 6774

FRONT VIEW



SIDE VIEW

