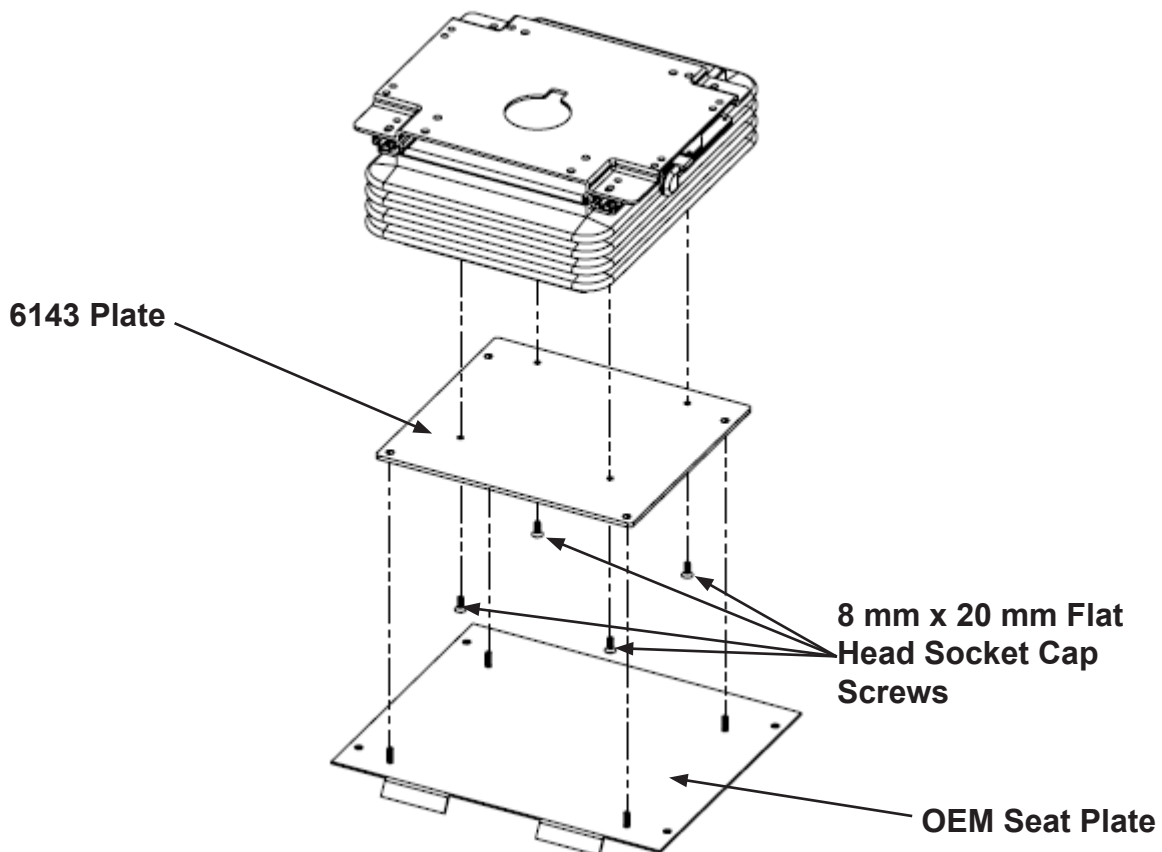
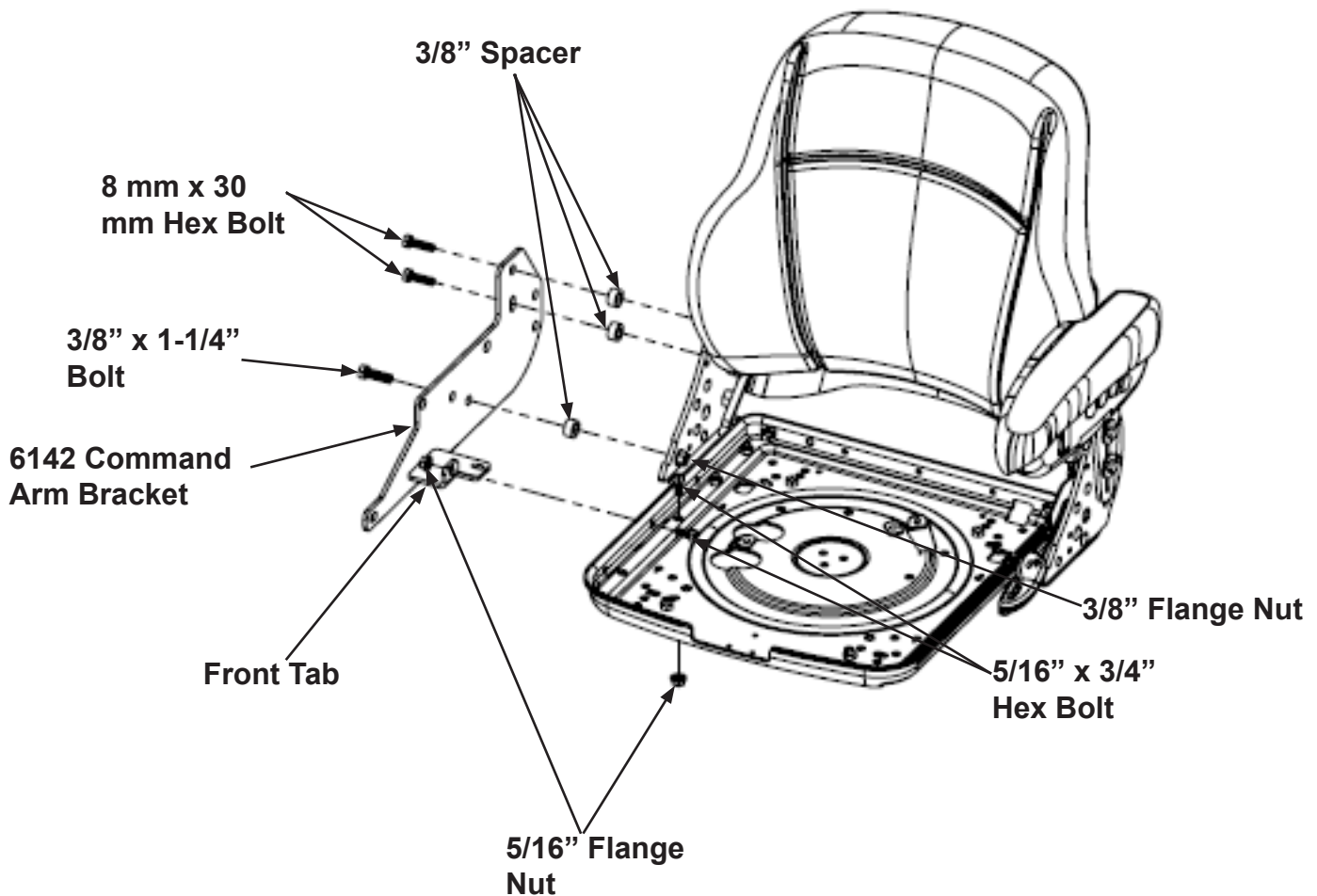


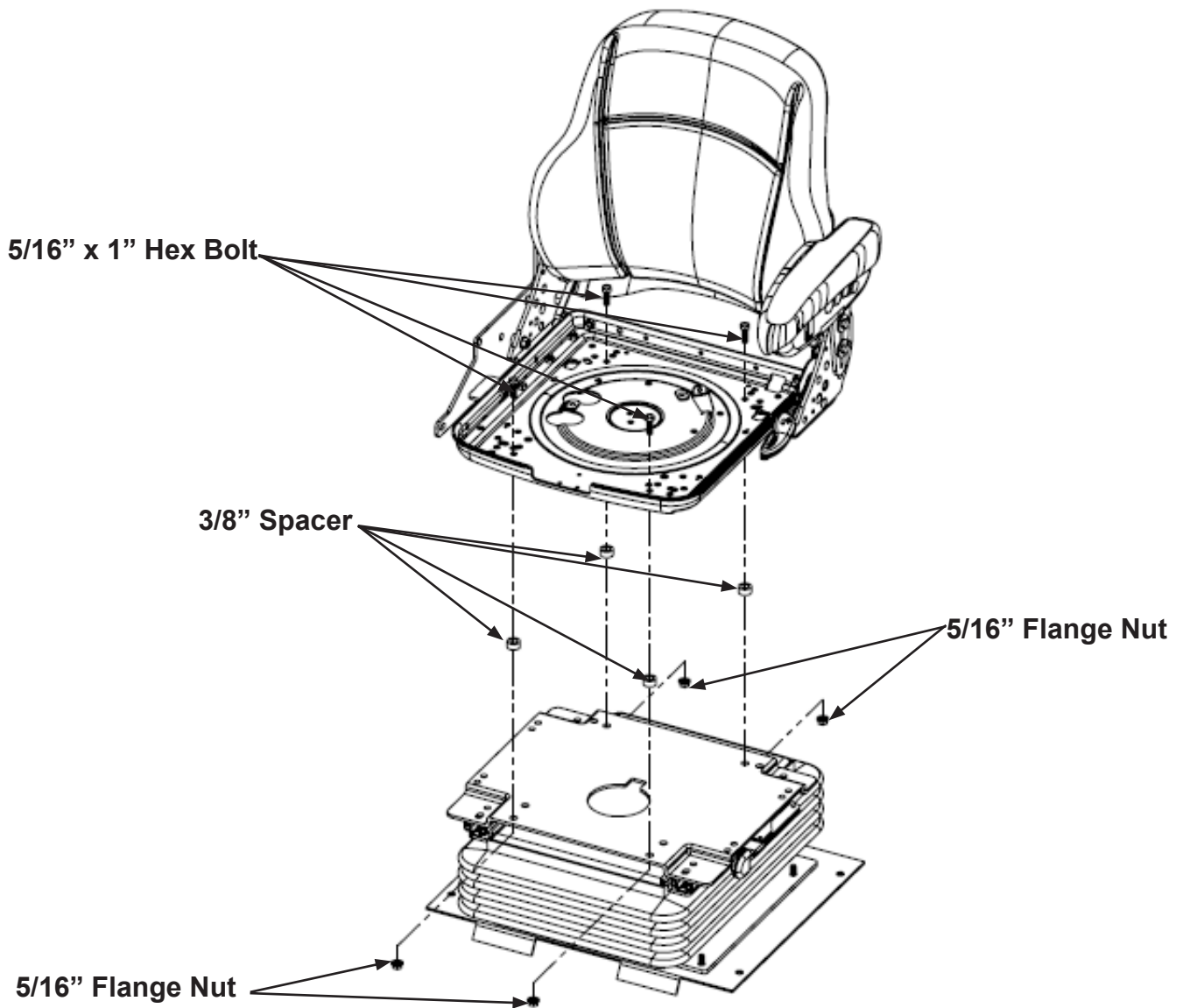
1. Remove the original seat. Keep the nuts used to mount the original seat to the OEM seat plate.
2. Remove the seat from the suspension of the new seat assembly. To do so, remove the seat cushion by taking out the two phillips screws from the lower front corners of the seat cushion. Then lift the seat cushion off. Next remove the four 8 mm bolts holding it in place. The seat may have to slide forward or backwards to access the bolts.
3. Bolt the 6143 plate to the bottom of the suspension using four 8 mm x 20 mm flat head socket cap screws.
4. If installing a swivel, do so now by following the install instructions included with the swivel. DO NOT bolt the seat to the suspension at this time. Proceed only through step 5 of the swivel install guide.
5. Install the suspension and plate assembly into the tractor. Bolt down to the existing OEM plate using the hardware removed in step 1.



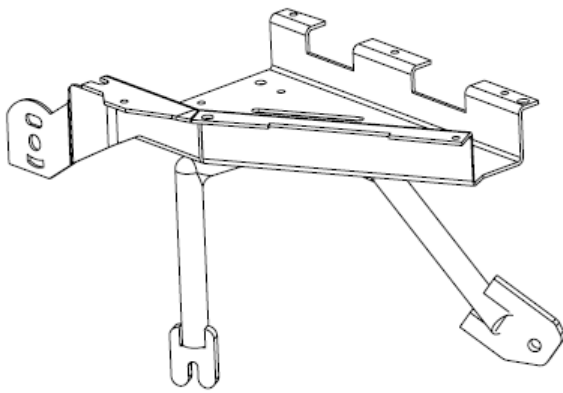
1. Remove the right hand arm rest from the new seat.
2. Mount the command arm bracket 6142 to the seat top.
3. First, fasten the front tab of the 6142 command arm bracket to the seat pan using two 5/16" x 3/4" bolts and flange nuts.
4. Determine which style OEM command arm mount you have. See page 4 for clarification. If you have an A, B, or C style command arm mount, fasten the rear of the 6142 command arm bracket to the seat frame using two 8 mm x 30 mm bolts and 3/8" spacers. You will use the holes that the armrest bolts threaded into. Fasten the middle of the command arm bracket to the seat frame using one 3/8" x 1-1/4" bolt, 3/8" spacer, and flange nut. If you have a D style command arm mount, the rest of the mounting will be done when you install the OEM command arm bracket.



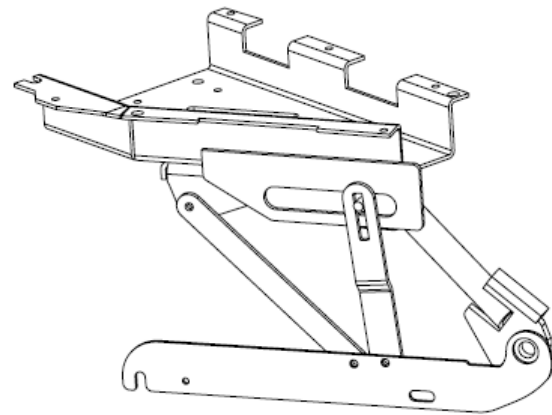
1. Mount the seat top to the top of the suspension (swivel if installed).
2. Place four 3/8" spacers on the suspension top plate. Place the seat top onto the spacers and fasten down using four 5/16" x 1" bolts and flange nuts.



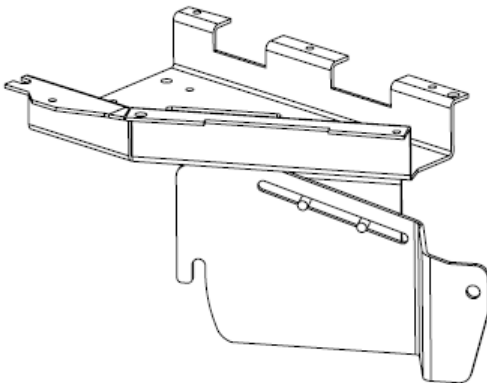
1. Check the OEM command arm mount in your cab and verify which style you have. See below for the four different options. NOTE: The plastic housing is not shown for clarity.
2. Use the corresponding hardware in the following pages to assemble the OEM command arm to the 6142 command arm bracket.
3. For Command Arm Mount Style A or B go to page 5. For Command Arm Mount Style C go to page 6. For Command Arm Mount Style D go to page 7.



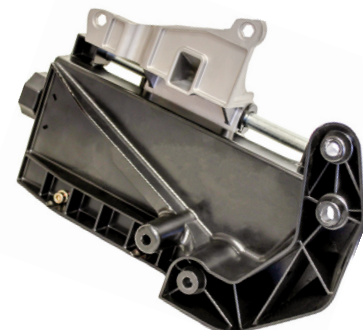
Command Arm Bracket A



Command Arm Bracket B



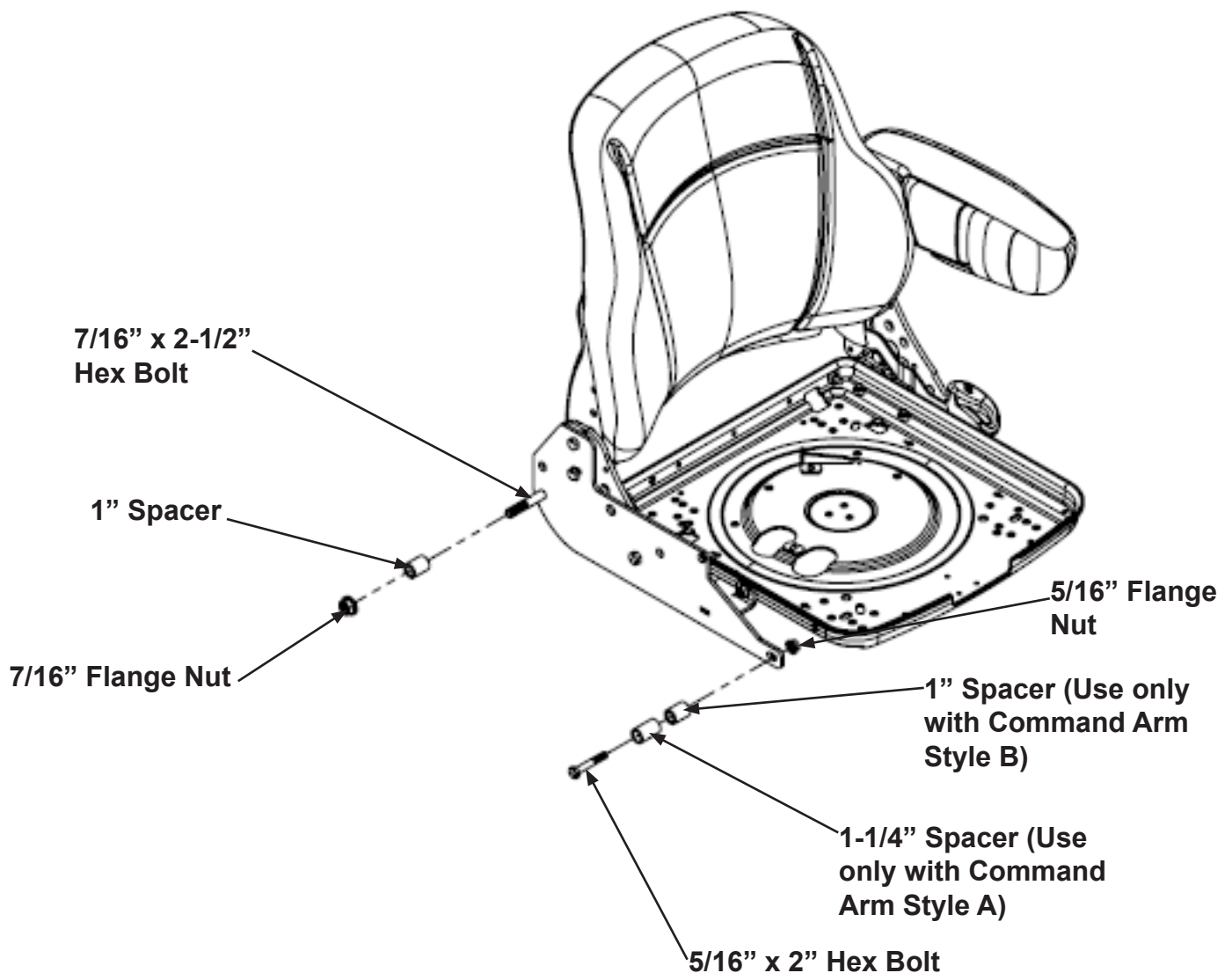
Command Arm Bracket C



Command Arm Bracket D

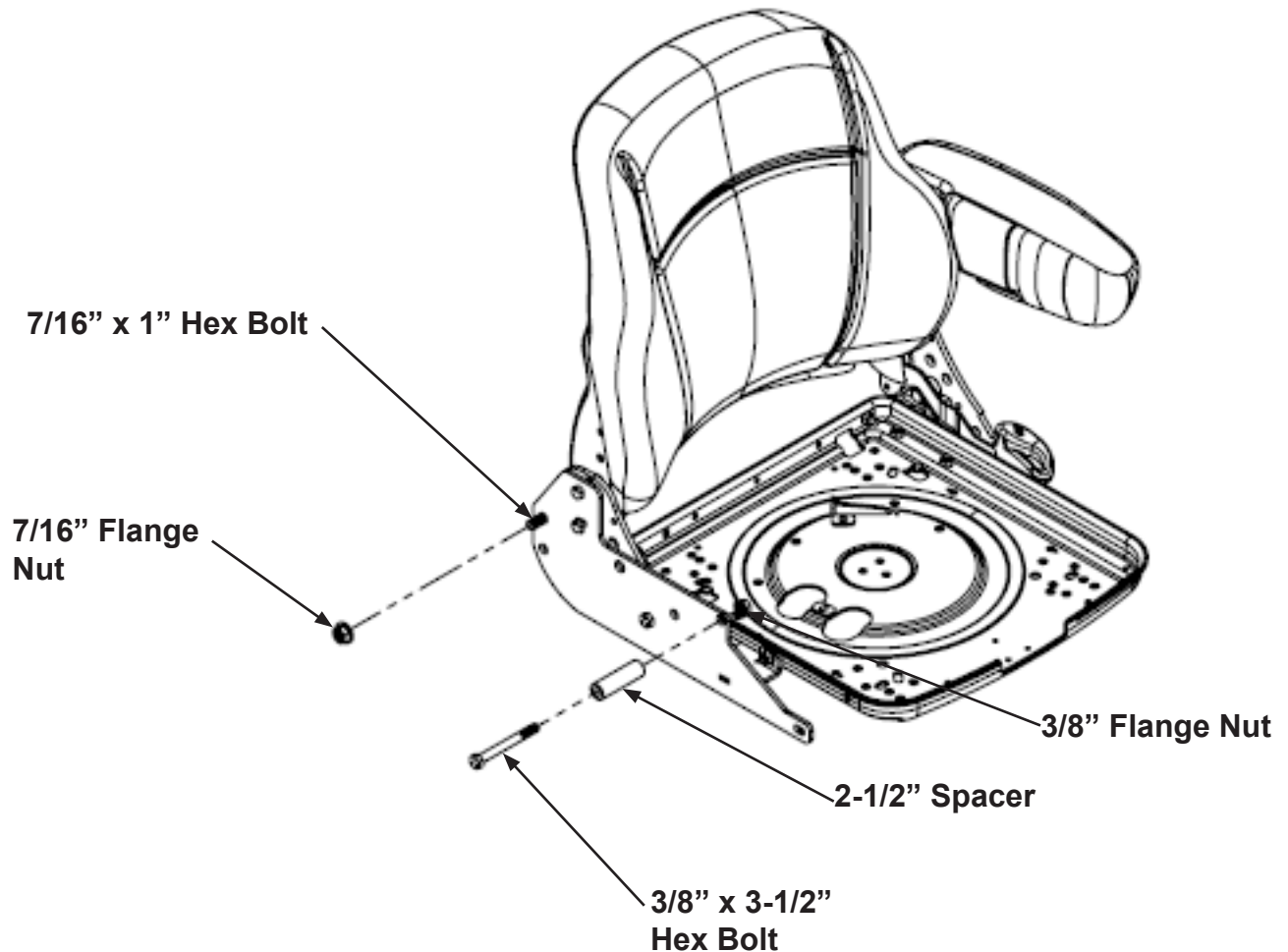
For Command Arm Mounts A&B

1. Mount the command arm mount A or B to the 6142 command arm bracket using a 7/16" x 2-1/2" bolt, 1" spacer, and flange nut in the rear hole. The OEM command arm sits on the outside of the spacer.
2. Use a 5/16" x 2" bolt, spacer, and flange nut to mount the front. A 1-1/4" spacer is used in the front for the A style command arm mount and a 1" spacer is used in the front if you have the B style command arm mount. The OEM command arm mount sits on the outside of the spacer.
3. Continue to page 8.



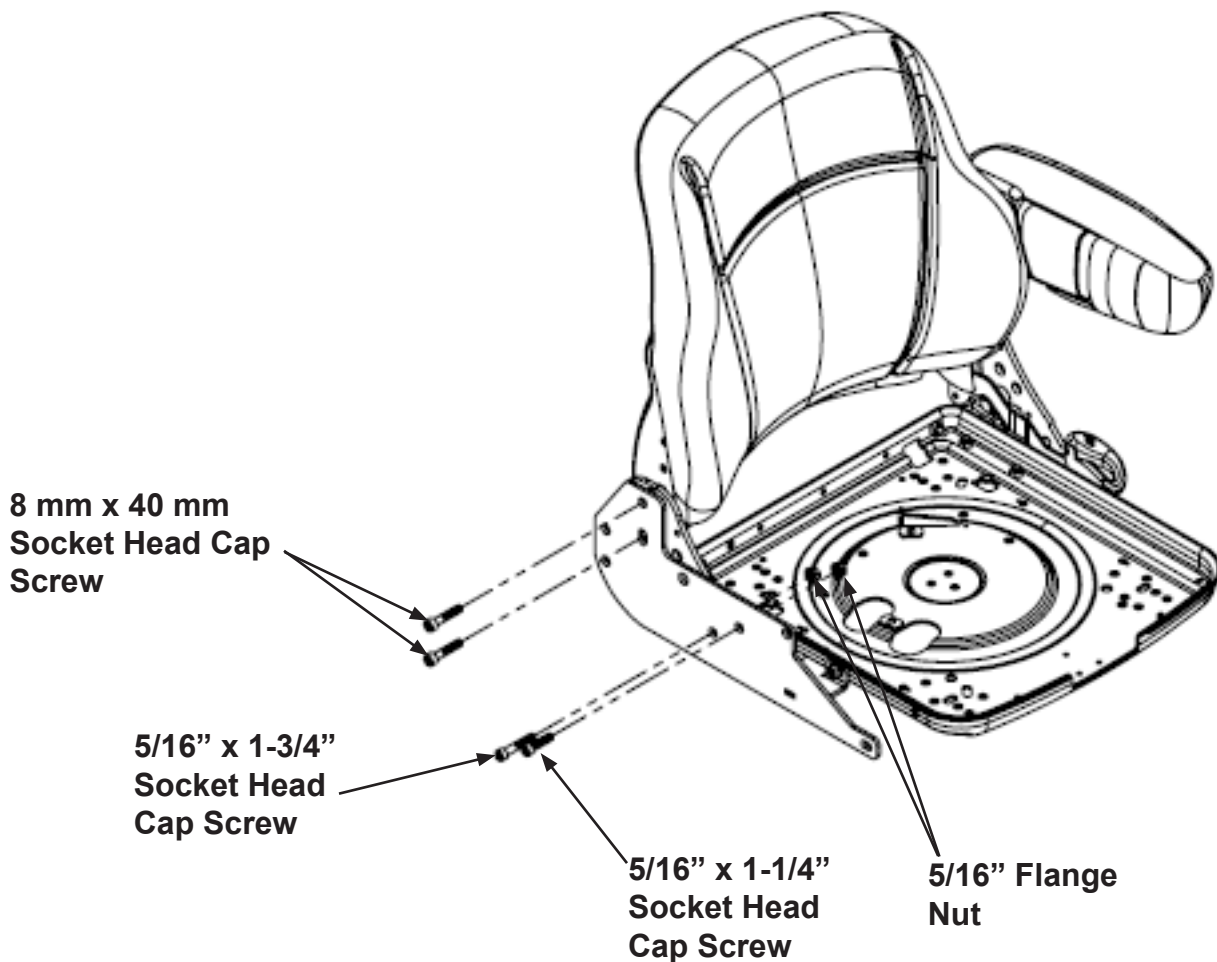
For Command Arm Mount C

1. Mount the command arm mount C to the 6142 command arm bracket using a 7/16" x 1" bolt and flange nut in the rear hole.
2. Use a 3/8" x 3-1/2" bolt, 2-1/2" spacer, and flange nut to mount the front. The OEM command arm mount sits on the outside of the spacer.
3. Continue to page 8.



For Command Arm Mount D

1. Mount the command arm mount D to the 6142 Command arm bracket using two 8 mm x 40 mm socket head cap screws and 3/8" spacers in the holes where the armrest mounted. The spacers go in between the 6142 command arm bracket and the seat.
2. Use a 5/16" x 1-3/4" socket head cap screw, 3/8" spacer, and flange nut in the lower front hole. The spacer goes in between the 6142 command arm bracket and the seat.
3. Use a 5/16" x 1-1/4" socket head cap screw and flange nut in the furthest front hole.
4. Continue to page 8.





Installation Guide 6806/6807

CIH MX, Magnum, Steiger, STX 1000/1003 Uni Pro Installation

1. Re-install the seat cushion by sliding it back onto the pan and fastening down with the screws removed. Be sure the operator presence switch gets threaded through the rear of the seat pan.
2. Connect the included wiring harness to the seat and suspension and then connect to the tractor.