

John Deere K Series

Wheel Loader Suspension Seat Kits



CHOOSE FROM

- OR ●
- Charcoal Gray Fabric
PN: 6940
- Charcoal Gray Fabric
PN: 6941

SEARS
SEATING

PN: 6940

See **PAGES 2-3** for applications, drawings and additional part information.

Slide rails provide fore/aft adjustment ensuring operator comfort

Easily accessible push-pull air switch

Higher backrest designed for construction applications

Adjustable lumbar supports your lower back with multiple settings

Adjustable padded armrests fold up and out of the way allowing easy access to the seat

Adjustable backrest adds comfort and versatility

Durable rubber molded suspension cover keeps components free of dirt and dust

- Heavy-duty 24-Volt air suspension for smoother, more comfortable ride
- Suspension weight adjustment of 100 - 440 lbs
- High quality seat
- Heavy-duty puck slides
- 2" retractable seat belt (optional)

PN: 6940 Includes: KM 1200 Uni Pro™ Seat & Suspension, Seat Adapter Plate, Command Arm Bracket, Joystick Bracket & Install Hardware

TRACTORSEATS.com

800-328-1752

308 NW 2nd Street • Renville, MN 56284



APPLICATIONS



Fits - John Deere® K Series Wheel Loaders:

6444K, 524K, 544K, 624K, 624KR, 644K, 724K, 744K, 824K, 844K

Replaces John Deere® Part Numbers: AT340281, AT412197, AT338248

PN: 6941 Includes: KM 1201 Uni Pro™ Seat & Suspension, Seat Adapter Plate, Command Arm Bracket, Joystick Bracket & Install Hardware

- Heavy-duty 24-Volt air suspension with 3.27" stroke for smoother, more comfortable ride
- Suspension weight adjustment of 99 - 320 lbs
- Seat cushion width of 21.5"; Seat back height of 19"
- Heavy-duty puck slides
- 2" retractable seat belt (optional)

See **PAGE 3**
for drawings.

PN: 6941

Slide rails provide fore/aft adjustment ensuring operator comfort

Easily accessible push-pull air switch

Adjustable lumbar supports your lower back with multiple settings

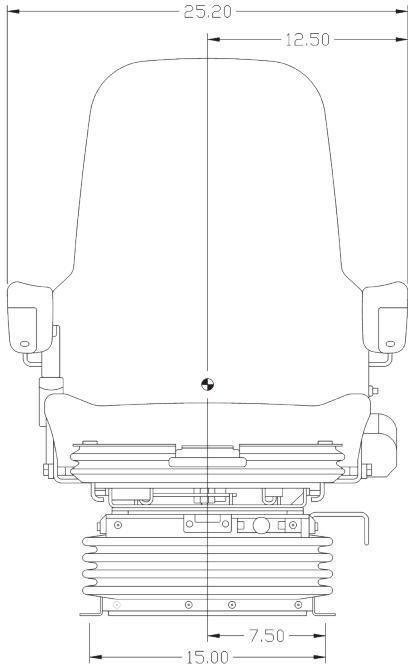
Adjustable padded armrests fold up and out of the way allowing easy access to the seat

Adjustable backrest adds comfort and versatility

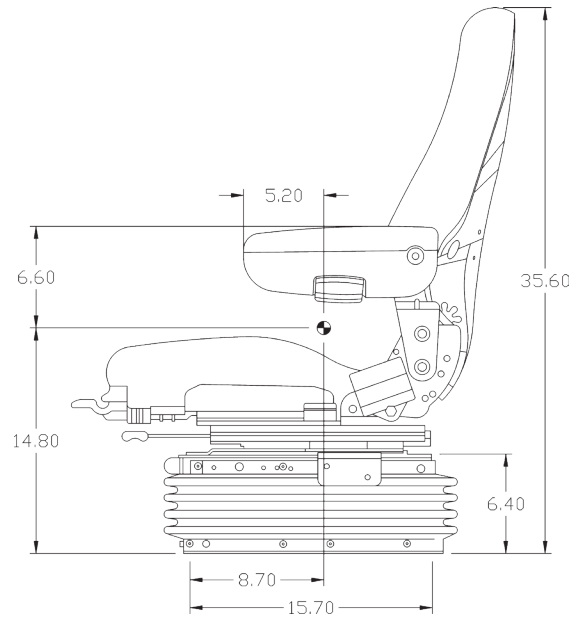
Durable rubber molded suspension cover keeps components free of dirt and dust



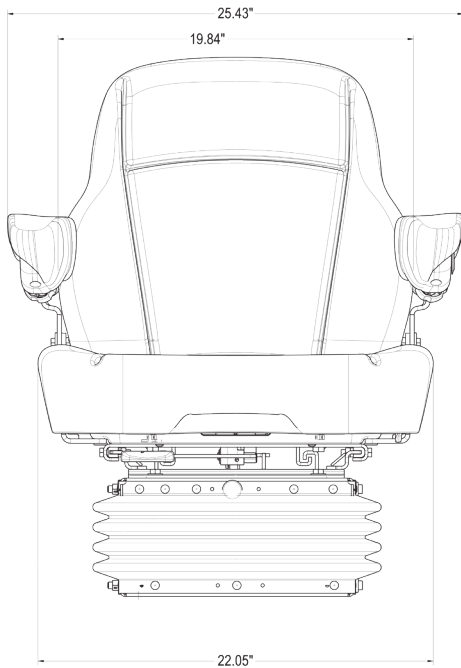
FRONT VIEW
PN: 6940



SIDE VIEW
PN: 6940



FRONT VIEW
PN: 6941



SIDE VIEW
PN: 6941

