

# Case CX-B

## Mini Excavator Bucket Seat Kit



Black Vinyl  
PN: 6962



See **REVERSE** for applications, drawings and options.

**PN: 6962 Kit Includes:** KM 171 Uni Pro™ Bucket Seat, Pedestal, & Install Hardware

- Accepts operator presence switch for added safety (optional)

[TRACTORSEATS.com](http://TRACTORSEATS.com) [CONSTRUCTIONSEATS.com](http://CONSTRUCTIONSEATS.com)



**800-328-1752**

308 NW 2nd Street • Renville, MN 56284



## APPLICATIONS



Excavators

Fits - Case® CX-B Series Mini Excavators:

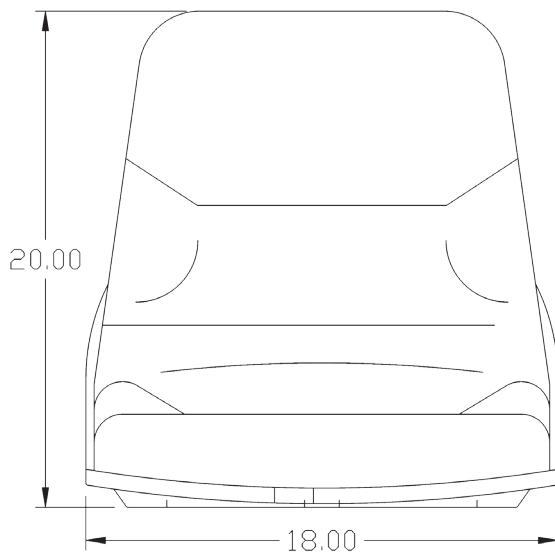
*(Replaces Case® Part Number: PW25M00014F1)*

**CX-B Series:** CX27B, CX31B, CX36B, CX50B, CX55B, CX55BMSR

## OPTIONS

- 7911\* Lap Belt
- 7925\* 45.5" Retractable Seat Belt
- \*6002 Seat Belt Bracket  
(Necessary with PNs: 7911 & 7925)
- 8443 47" Retractable Seat Belt with Switch
- 8590 51.5" Orange Retractable Seat Belt
- 8665 Operator Presence Switch  
(Normally Open)

### FRONT VIEW



### SIDE VIEW

