

Cat CR & JD D-G

Mini Excavator Seat Kit



Black Vinyl
PN: 6963

milsco[®]



Contoured foam cushions for added comfort

Adjustable lumbar supports your lower back with multiple settings

Mechanical suspension with 2.36" of travel for comfortable ride

110 - 331 lb manual weight adjustment with ride indicator

Slide rail width of 11.25" with 6" fore/aft adjustment ensuring operator comfort

See **REVERSE** for applications, drawings and options.

PN: 6963 Kit Includes: Uni Pro™ - KM 226 Seat & Mechanical Suspension

- **Milsco VersaCompact™ V7300 Seat**
- Mechanical suspension with 2.36" suspension travel
- Seat width of 18.5"
- Conforms with IT1 & IT2 (Lift Trucks), and ISO7096 - EM6, EM8 & EM9 specifications

TRACTORSSEATS.com **CONSTRUCTIONSEATS.com**



800-328-1752

308 NW 2nd Street • Renville, MN 56284



APPLICATIONS



Excavators

Fits - Caterpillar® CR Series Mini Ecavators:

(Replaces Caterpillar® Number 3845673)

CR Series: 303E CR, 304E CR, 305E CR, 308E CR, 303.5E CR, 305.5E CR

John Deere® D and G Series Mini Ecavators:

(Replaces John Deere® Numbers 4629628, 4640458, 4640459, 4700770, 4700771, 4715195, FYD00002791)

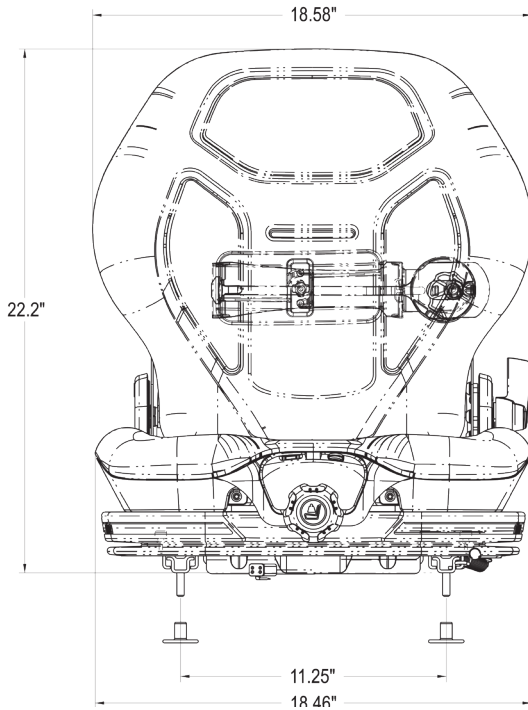
D Series: 27D, 35D, 50D

G Series: 26G, 30G, 35G, 50G, 60G, 85G

OPTIONS

- 8659 Armrest Kit
- 7925 45.5" Retractable Seat Belt
- 8443 47" Retractable Seat Belt with Switch
- 8590 51.5" Orange Retractable Seat Belt

FRONT VIEW



SIDE VIEW

