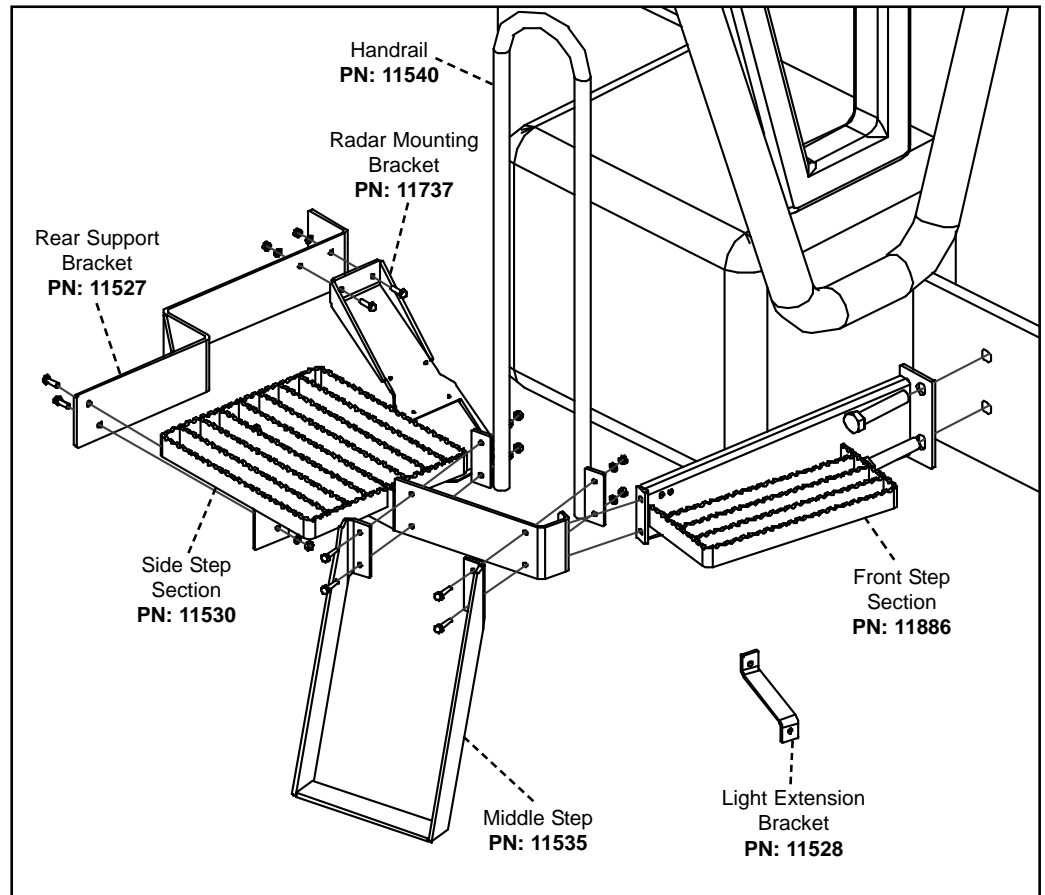


1. Remove the hood side panel.
2. Bolt the **front step section** to the tractor frame using two 5/8" x 4 1/2" bolts, lock washers and nuts.
3. Bolt the **rear support bracket** to the tractor housing using the two existing bolts from the radar unit.
4. Bolt the **side step section** to the **front step section** and to the **rear support bracket** using four 5/16" x 1" bolts, lock washers and nuts.
5. Bolt the **handrail** and **middle step** to the **side step section** using four 5/16" x 1 1/4" bolts, lock washers and nuts.
6. Bolt the **radar mounting bracket** to the **rear support bracket** using two 5/16" x 1" bolts, lock washers and nuts.

### NOTE! - When Installing This Application

*Do not tighten any bolts until all parts have been assembled to the tractor.*



7. Mount the radar unit onto the **radar mounting bracket**.
8. **After step installation, check turning radius of front tires for interference with step.**

### Note!

*Light extension bracket may be needed on some models.*